

# IK W8-DVC2



## IMPACT

K-SERIES

200MM / 8INCH  
**2x2Ω SUBWOOFER**  
FOR COMPACT ENCLOSURES

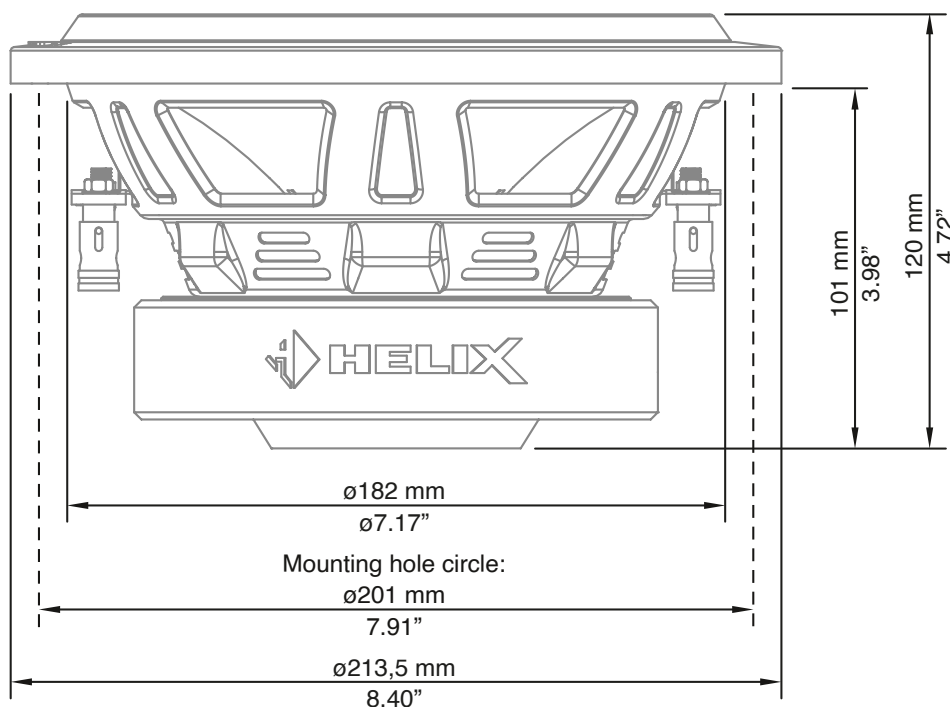


- 2 x 2 Ohms dual voice coil for flexible system configuration
- Extremely stiff, hand-scooped paper cone for outstanding impulse response
- Double ventilated voice coil for minimum compression effects and high power handling
- Long-excursion rubber surround for highest mechanical rating
- Solid push terminals
- Powerful magnet system for compact enclosures
- Rugged magnet cover with HELIX lettering for perfect magnet protection
- Grille and gasket included in delivery



### Dimensions

Abmessungen



### Technical data

Technische Daten

Power handling Belastbarkeit	RMS	300 W
	Max.	600 W
Impedance Impedanz	Z	2 x 2 Ω
DC resistance Gleichstromwiderstand	Re	2 x 1,6 Ω
Resonance frequency Resonanzfrequenz	Fs	37 Hz
Mechanical Q factor Mechanische Güte	Qms	3,56
Electrical Q factor Elektrische Güte	Qes	0,46
Total Q factor Gesamtgüte	Qts	0,41
Compliance Nachgiebigkeit	Cms	262 μm/N
Equivalent air volume Äquivalentvolumen	Vas	17 L
Force factor Kraftfaktor	B*I	10,7 Tm
Sensitivity Wirkungsgrad	SPL	89 dB @ 2,83V / 1m 86 dB @ 1W / 1m
Cone area Membranfläche	Sd	219 cm²
Moving mass Bewegte Masse	Mms	69 g
Mechanical resistance Mechanischer Widerstand	Rms	4,54 kg/s
Voice coil diameter Schwingspuldurchmesser	Ø	50,8 mm
Voice coil winding height Schwingspulenwickelbreite		24 mm
Max. linear excursion Max. linearer Membranhub	Xmax	+/- 8 mm

### Enclosure recommendations

Gehäuseempfehlungen

#### Sealed box

Geschlossenes Gehäuse

Net volume Nettovolumen	8 L
Lower limiting frequency (-3dB) Untere Grenzfrequenz (-3dB)	50 Hz
Recommended DSP settings Empfohlene DSP-Einstellungen	Highpass: "Self-Define" 50 Hz / Q = 1,5; EQ Filter: 115 Hz / Q = 1 / -2,5 dB

#### Vented box

Bassreflex-Gehäuse

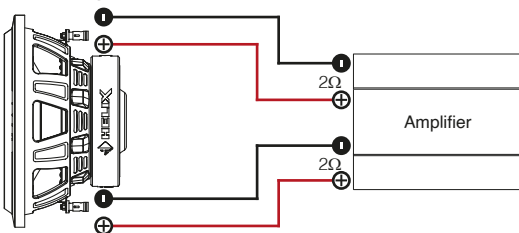
Net volume Nettovolumen	8 L
Port diameter Reflex-Kanaldurchmesser	Ø 60 mm
Port area Reflex-Kanalfäche	28 cm²
Port length Reflex-Kanallänge	42 cm (angled port)
Port tuning frequency Tunnelabstimmungsfrequenz	Fb 43 Hz
Lower limiting frequency (-3dB) Untere Grenzfrequenz (-3dB)	45 Hz
Recommended DSP settings Empfohlene DSP-Einstellungen	Highpass: "Self-Define" 43 Hz / Q = 1,5; EQ Filter: 120 Hz / Q = 0,8 / -3,5 dB

### Wiring configurations

Anschluss

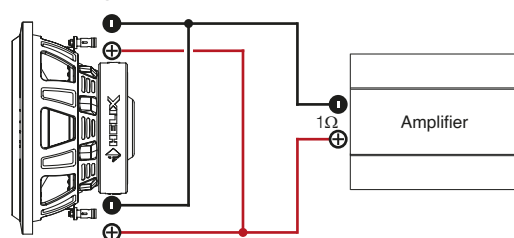
#### 2 x 2 Ω configuration on two amplifier channels

2 x 2 Ω Konfiguration an zwei Verstärkerkanälen



#### 1 x 1 Ω configuration on one amplifier channel

1 x 1 Ω Konfiguration an einem Verstärkerkanal



#### 1 x 4 Ω configuration on one amplifier channel

1 x 4 Ω Konfiguration an einem Verstärkerkanal

