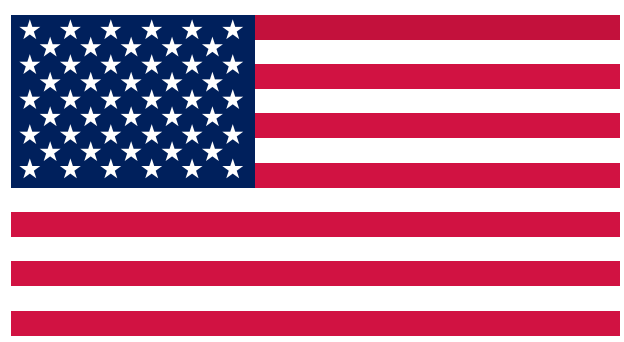


# **KICKER**<sup>®</sup>

**Owner's Manual**  
**Manual del Propietario**  
**Manuel d'utilisation**  
**Benutzerhandbuch**

KSS 3-WAY COMPONENTS  
Altavoz Componentes KSS  
KSS Komponenten-System  
Haut-parleurs Composants KSS



# Contents

---

Overview .....	3
Specifications .....	4
Installation .....	5
Crossover & Wiring Configuration	5
Speaker Mounting .....	7
Mid-Range Tweeter Mounting ...	10
Tweeter Mounting .....	12
Warranty .....	15
Garantía   Garantie .....	17

# Overview

---

## **IMPORTANT SAFETY WARNING**

PROLONGED CONTINUOUS OPERATION OF AN AMPLIFIER, SPEAKER, OR SUBWOOFER IN A DISTORTED, CLIPPED OR OVER-POWERED MANNER CAN CAUSE YOUR AUDIO SYSTEM TO OVERHEAT, POSSIBLY CATCHING FIRE AND RESULTING IN SERIOUS DAMAGE TO YOUR COMPONENTS AND/OR VEHICLE. AMPLIFIERS REQUIRE UP TO 4 INCHES (10CM) OPEN VENTILATION. SUBWOOFERS SHOULD BE MOUNTED WITH AT LEAST 1 INCH (2.5CM) CLEARANCE BETWEEN THE FRONT OF THE SPEAKER AND ANY SURFACE. KICKER PRODUCTS ARE CAPABLE OF PRODUCING SOUND LEVELS THAT CAN PERMANENTLY DAMAGE YOUR HEARING! TURNING UP A SYSTEM TO A LEVEL THAT HAS AUDIBLE DISTORTION IS MORE DAMAGING TO YOUR EARS THAN LISTENING TO AN UNDISTORTED SYSTEM AT THE SAME VOLUME LEVEL. THE THRESHOLD OF PAIN IS ALWAYS AN INDICATOR THAT THE SOUND LEVEL IS TOO LOUD AND MAY PERMANENTLY DAMAGE YOUR HEARING. PLEASE USE COMMON SENSE WHEN CONTROLLING VOLUME.

The KICKER KSS 3-Way speakers offer an excellent upgrade to your vehicle's factory sound system, delivering great full-range sound at an amazing value! Whether dropping the KS speakers in a factory location or customizing your install, their high-efficiency design means less power is needed to play your music, while our use of advanced materials and construction techniques ensures optimal performance for years to come. Designed for versatile applications without sacrificing sound quality or aesthetics, we hope you have the chance to combine these new, upgraded audiophile components with our all-new KEY Smart Amplifiers and a KICKER sub for an audio experience you won't forget!

# Specifications

<b>KS Component Speakers</b>	<b>KSS3650</b>	<b>KSS3690</b>
Woofers [in, mm]	6-1/2, 160	6x9, 160x230
Mid Tweeter [in, mm]	2-3/4, 70	2-3/4, 70
Tweeter [in, mm]	1, 25	1, 25
Dome Material	Silk	Silk
Rated Impedance [ $\Omega$ ]	4	4
Peak Power Handling [Watts]	250	300
Recommended Amplifier Power [Watts RMS]	15-125	15-150
Sensitivity [1W, 1m]	90	92
Frequency Response [Hz]	35-21k	30-21K
Woofers Mounting Hole Diameter [in, mm]	4-13/16, 123	5-11/16x8-7/16
Woofers Top Mount Depth [in, mm]	1-13/16, 46	3-3/16, 81
Mid Tweeter Mounting Hole Diameter [in, mm]	2-3/8, 61	2-3/8, 61
Mid Tweeter Top Mount Depth [in, mm]	1-1/4, 32	1-1/4, 32
Flush Mount Tweeter Hole Diameter [in, mm]	1-3/4, 44	1-3/4, 44
Flush Mount Tweeter Depth [in, mm]	11/16, 17	11/16, 17
High Pass [dB], at Frequency [Hz]	12, 4,000	12, 4,000
Low Pass [dB], at Frequency [Hz]	None	None
High Frequency Output Attenuation [dB]	0, 4.5, 9	0, 4.5, 9

**Note:** All specifications and performance figures are subject to change. Please visit **[www.kicker.com](http://www.kicker.com)** for the most current information. To get the best performance from your new KICKER speakers, we recommend using genuine KICKER accessories and wiring. Please allow two weeks of break-in time for the speakers to reach optimum performance.

# Installation

---

The KSS Components System provides optimal sound quality and improved sonic imaging (with proper tweeter mounting). Make sure your battery or power source is disconnected before attempting any work. Use the following instructions to mount and wire your new system.

## Crossover & Wiring Configuration

We recommend using 16 gauge (or larger) wire. The KS Speakers are rated at 4 ohms and work with any source unit or amplifier designed to operate at a 4 ohm load. **Make sure your source unit or amplifier is rated for 4 ohm operation.**

For all wiring in the KSS Components System, the gray lead is positive, and the striped lead is negative.

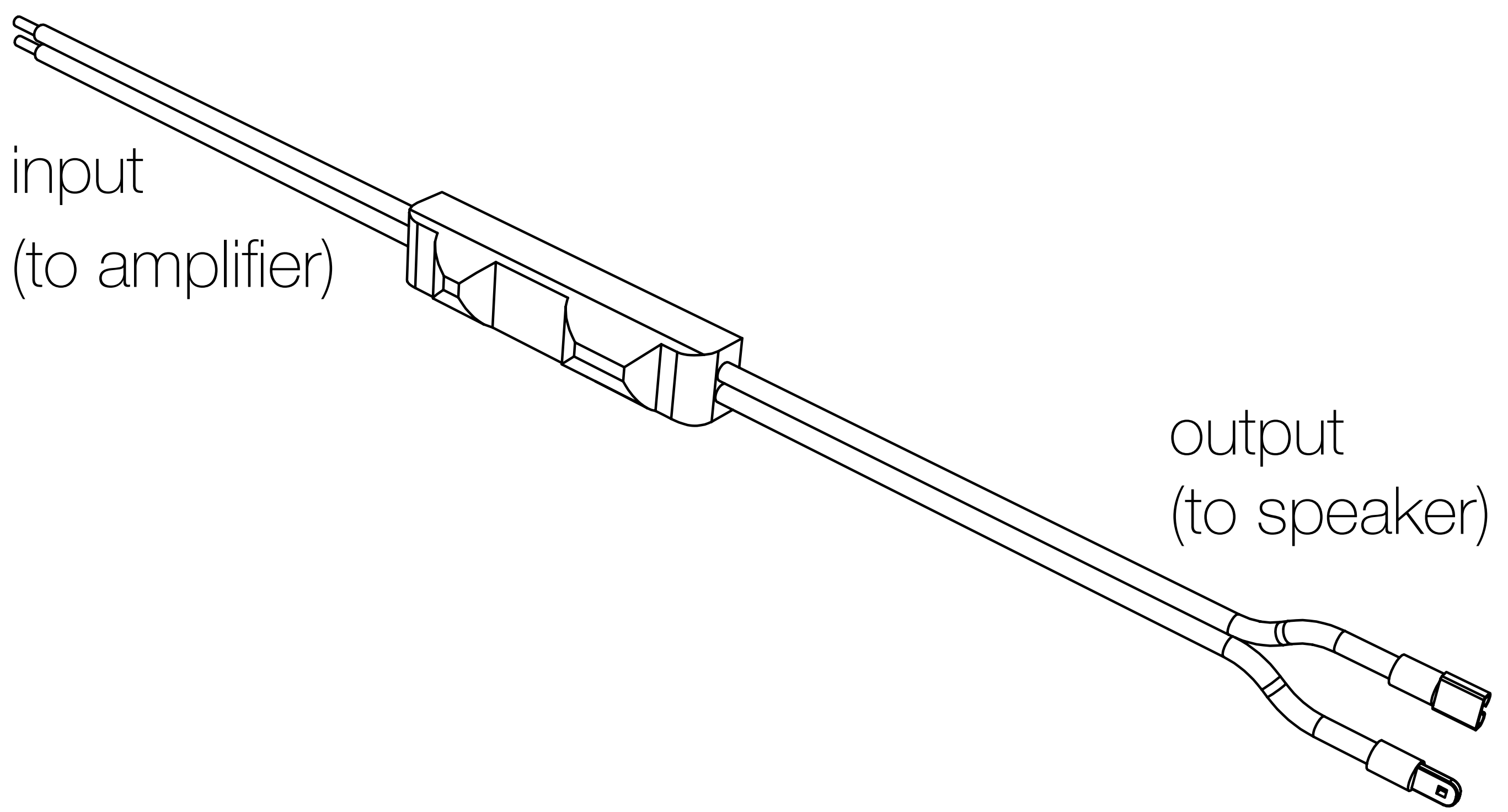
### Crossover Wiring

The KSS 3-way speakers come with three passive crossovers which correspond to the three speakers. The connectors are mated so they will only connect to the correct circuit. Match the labels of the crossover to the correct speaker.

Tweeter - 51KSS36-25XO

Mid Tweeter - 51KSS365-27XO or 51KSS369-27XO

Woofers - 51KSS36-6569XO



Once connected, slide the plastic cover over the terminals to prevent a short circuit. The crossover output for the KSS65 and KSS69 connect directly to the speaker terminals.

Connect the crossover input to your source unit or amplifier using the included butt connectors.

**Pro Tip:** You're a KICKER KX amplifier and a few cables away from a full system upgrade that will dominate any factory system! KICKER line of amplifiers make it easy to upgrade to solid bass with your existing or stock source unit. Also, ask your dealer about KICKER Subwoofer upgrades.

# Speaker Mounting

If you are replacing factory speakers in their original locations, you may need to use the included multi-purpose adapter, or modify it as such that it will fit your required screw patterns. In most cases, you will re-use the factory mounting hardware or screws. In some applications, the adapter will clip to the mounting panel on one side. In this case, you may need to use the included foam dampener to tighten the fitment.

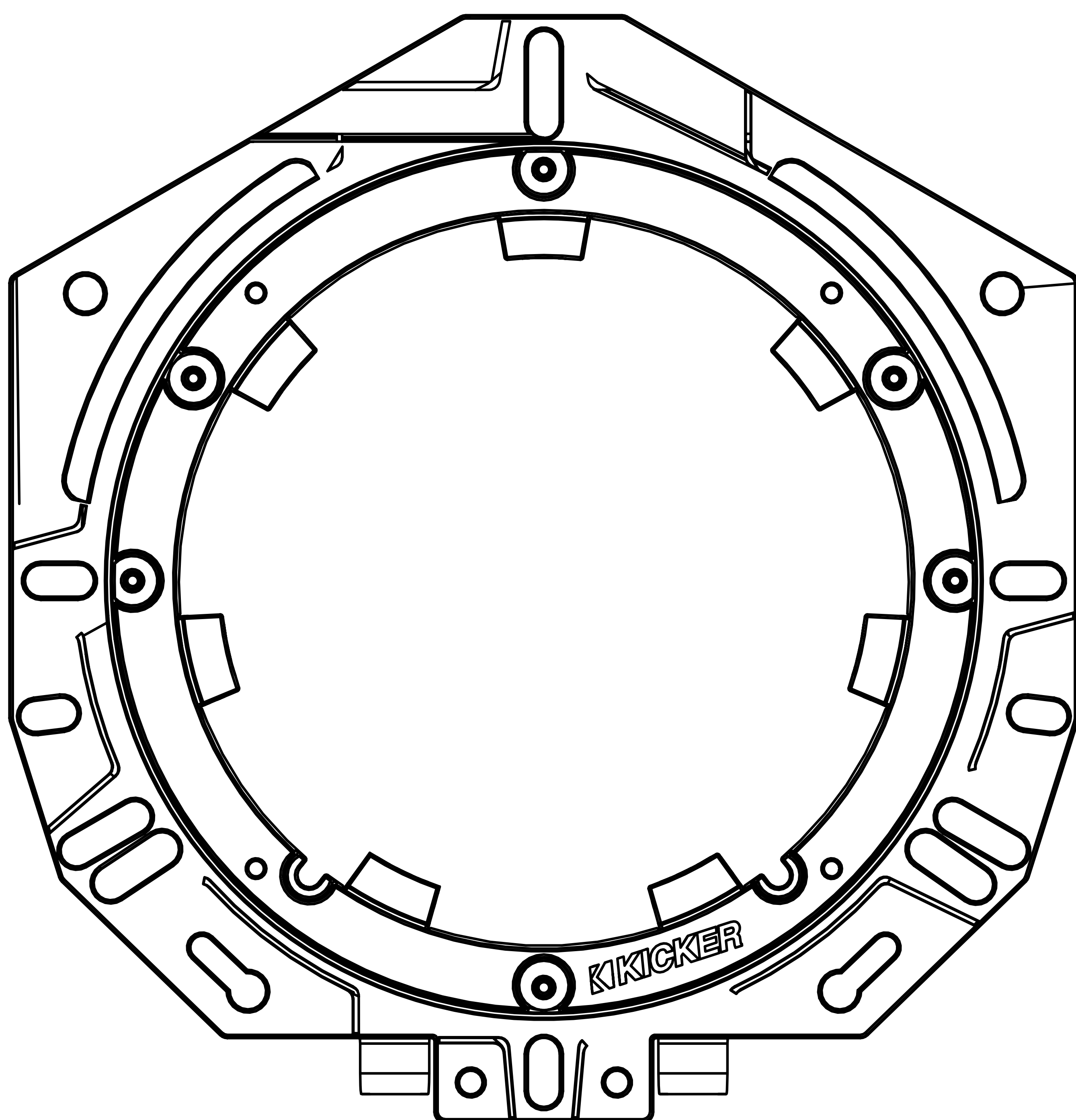
Custom mounting locations will require more preparation and work. Use the included mounting template to cut and drill holes for custom locations. Make sure that the speaker will not interfere with trunk and door opening and closing mechanisms and that the enclosed screws will not puncture the fuel tank, puncture wiring, or interfere with any other mechanical parts on the underside of the mounting surface. Cycle the windows all the way down and up.

If the speaker cut-out locations require you to cut metal, avoid structural metal and braces. If the door body and panel cannot support the weight of the speaker, an optional reinforcing ring (thin piece of wood or Medium Density Fiberboard) may be fastened or adhered to the door body.



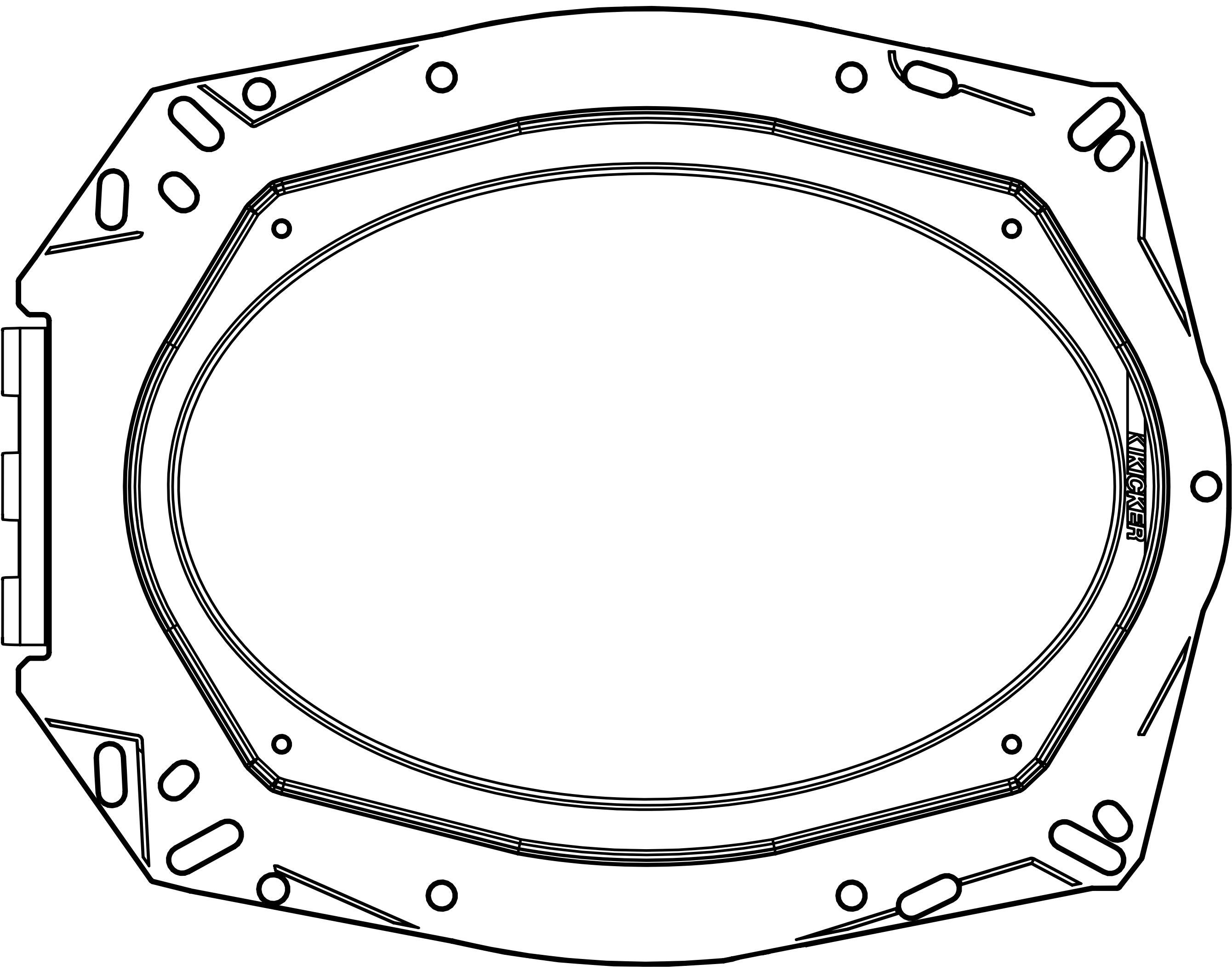
The multi-bracket adapter will help accommodate the KSS speakers in factory or custom locations. For factory locations, find the bolt pattern which matches your factory speaker. You may need to cut off parts or otherwise modify these adapters to fit your vehicle or application by removing tabs. The cutting locations are molded into the adapter.

## **KS65/KS67 ADAPTER**

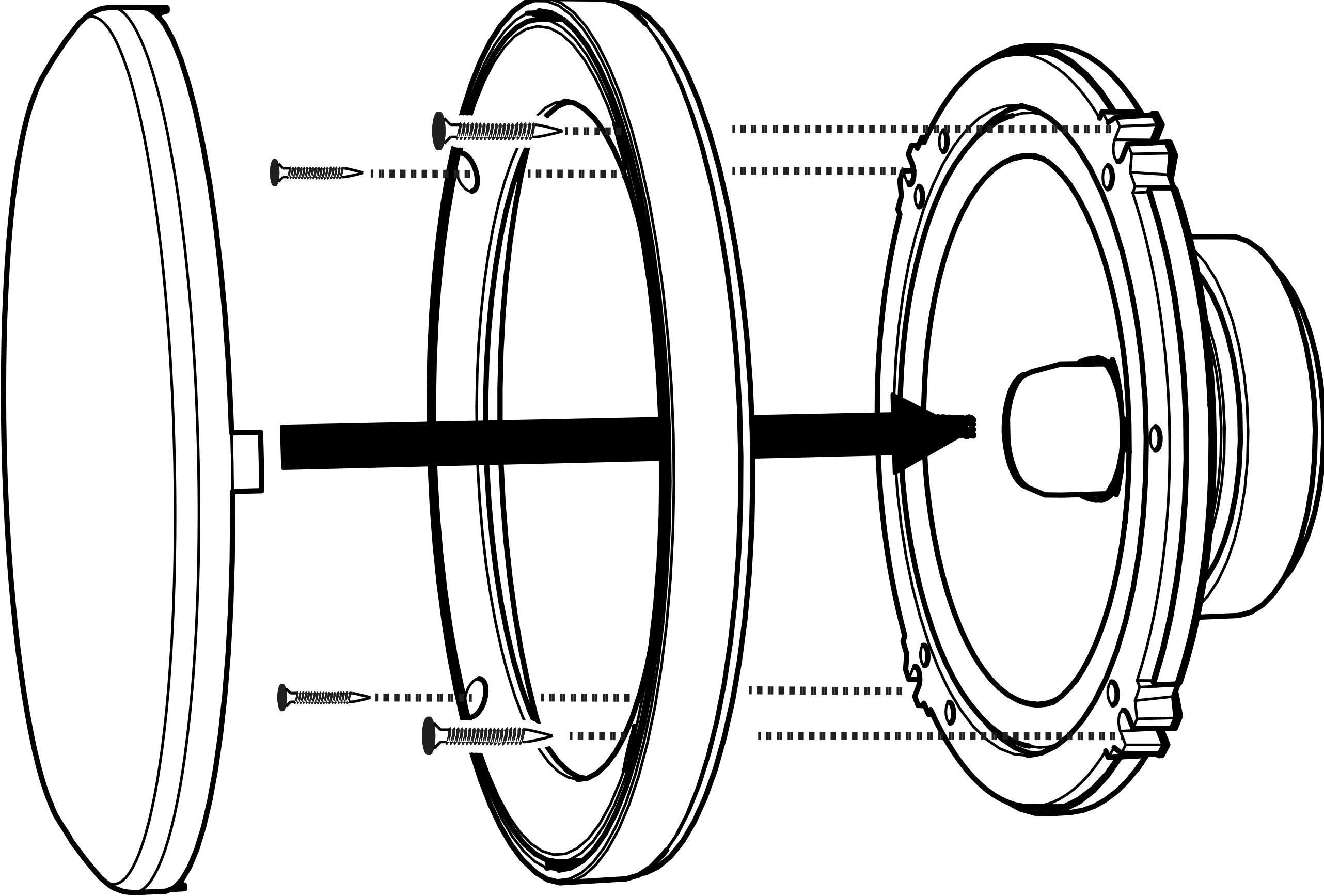




# KS69 ADAPTER



## Secure speaker to desired location



# Mid-Range Tweeter Mounting

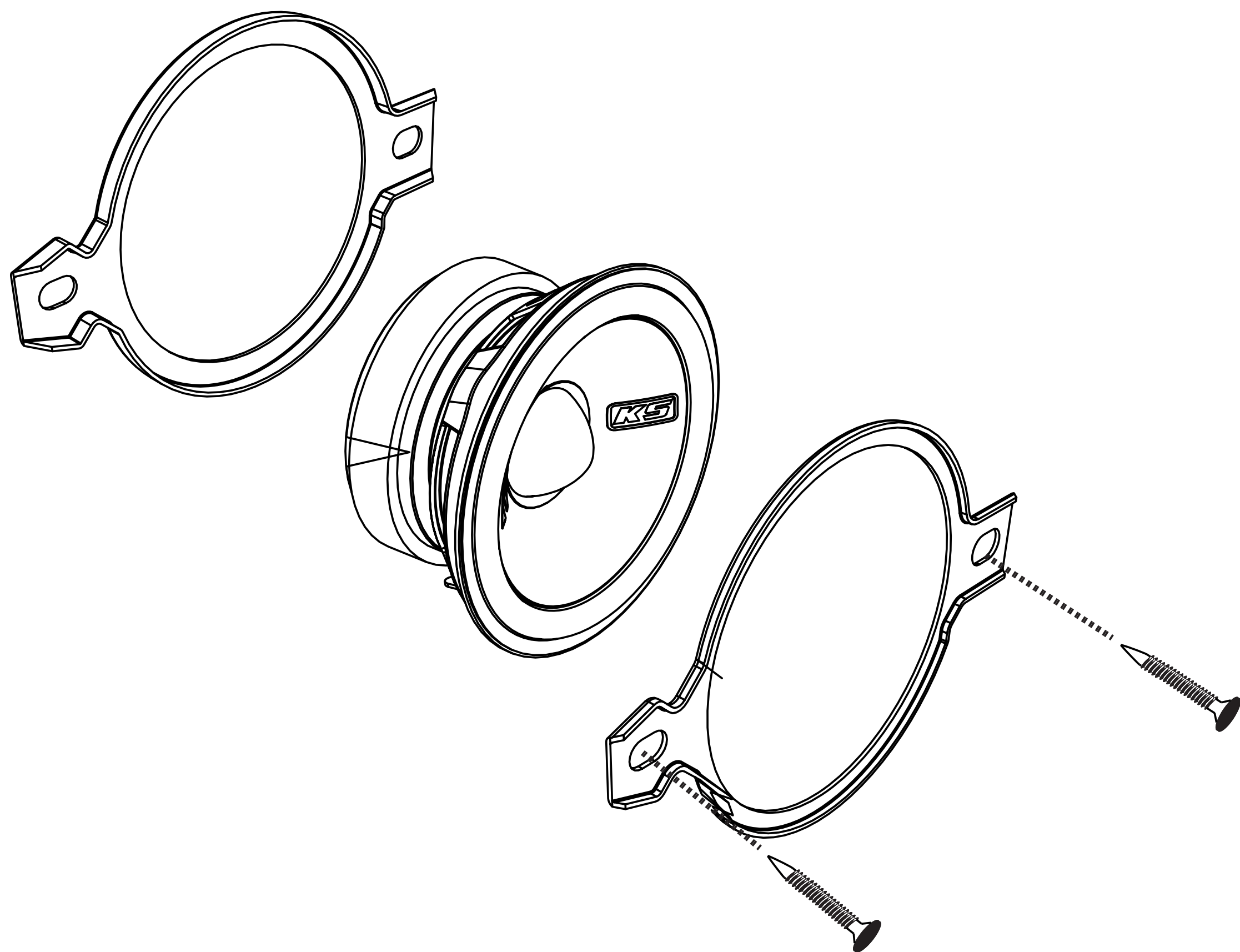
If you are replacing factory speakers in their original locations, you may need to use the included flanges and their retainers based upon the make and model of your vehicle, or modify it as such that it will fit your required screw patterns.

Custom mounting locations will require more preparation and work. Make sure that the speaker will not interfere with trunk and door opening and closing mechanisms and that the enclosed screws will not puncture the fuel tank, puncture wiring, or interfere with any other mechanical parts on the underside of the mounting surface. Cycle the windows all the way down and up.

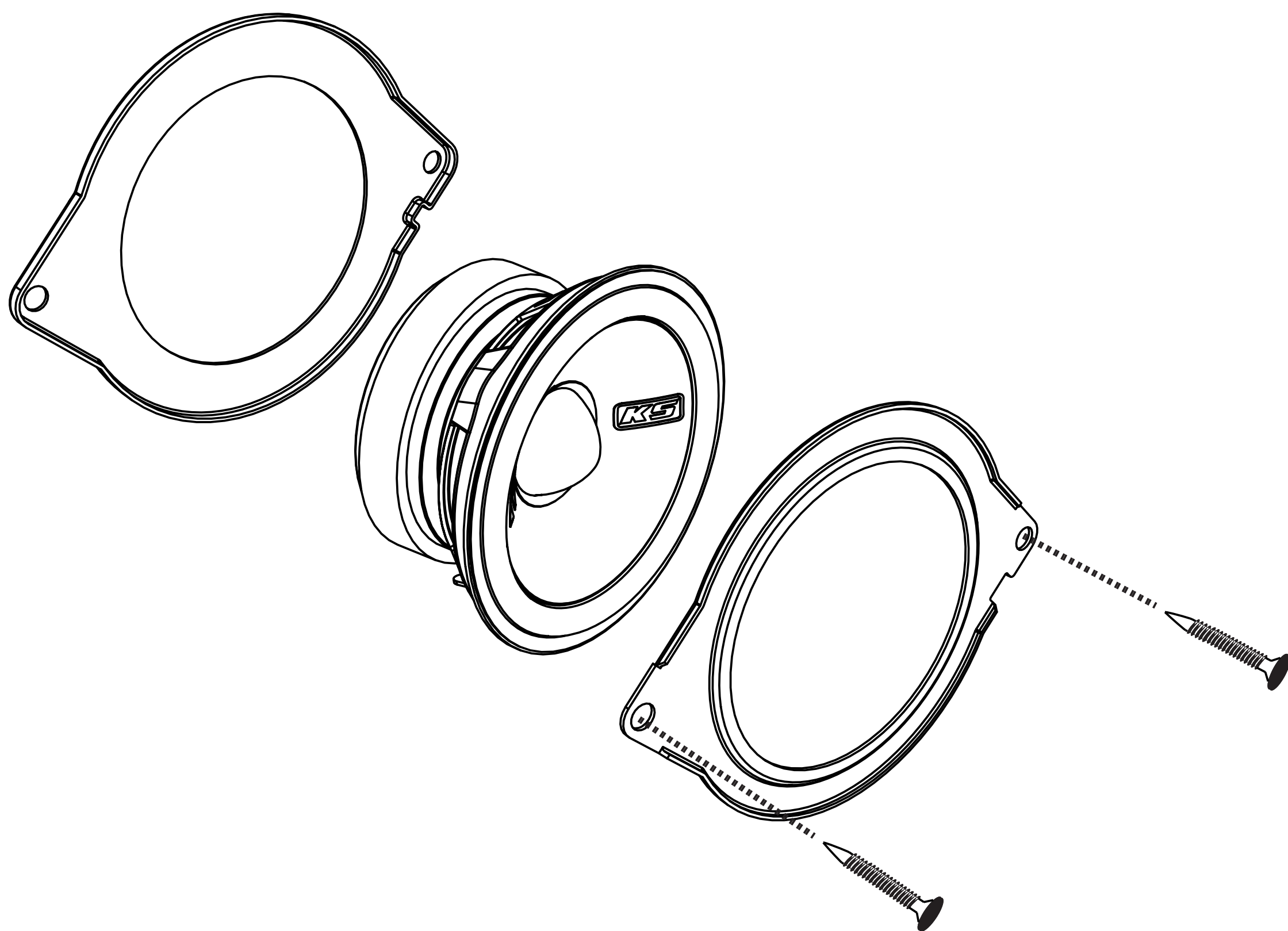
Route the KSC270 speaker and wires through the flange. Place the flange over the terminals first, then adjust the speaker through the flange.

Place the retainer on top of the speaker and into the flange. Rotate the speaker to the desired orientation, then secure the speaker using the factory mounting hardware or screws.

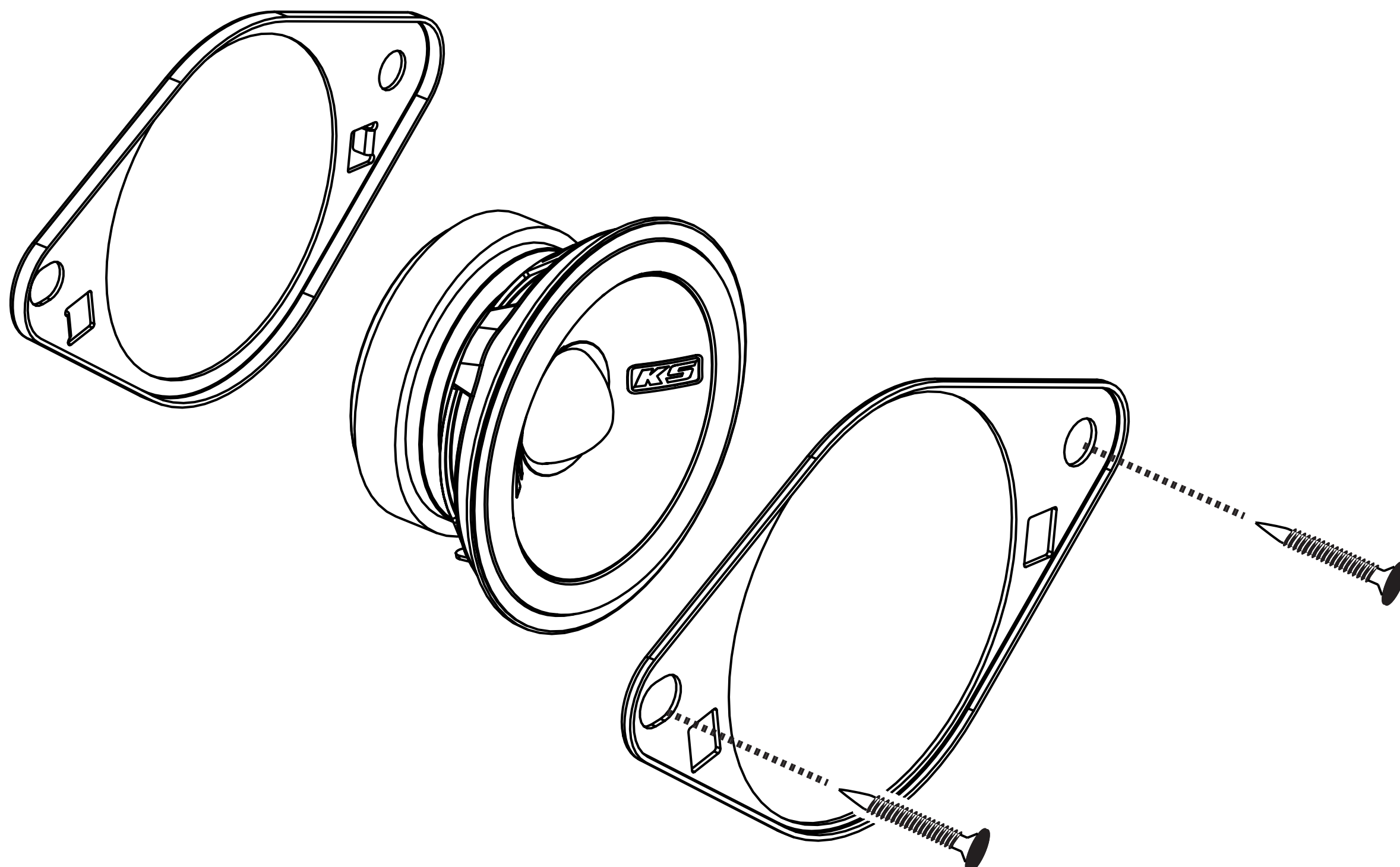
## KS270 ADAPTER - GM/CHRYSLER



## KS270 ADAPTER - CHRYSLER/JEEP



## KS270 ADAPTER - TOYOTA/SUBARU



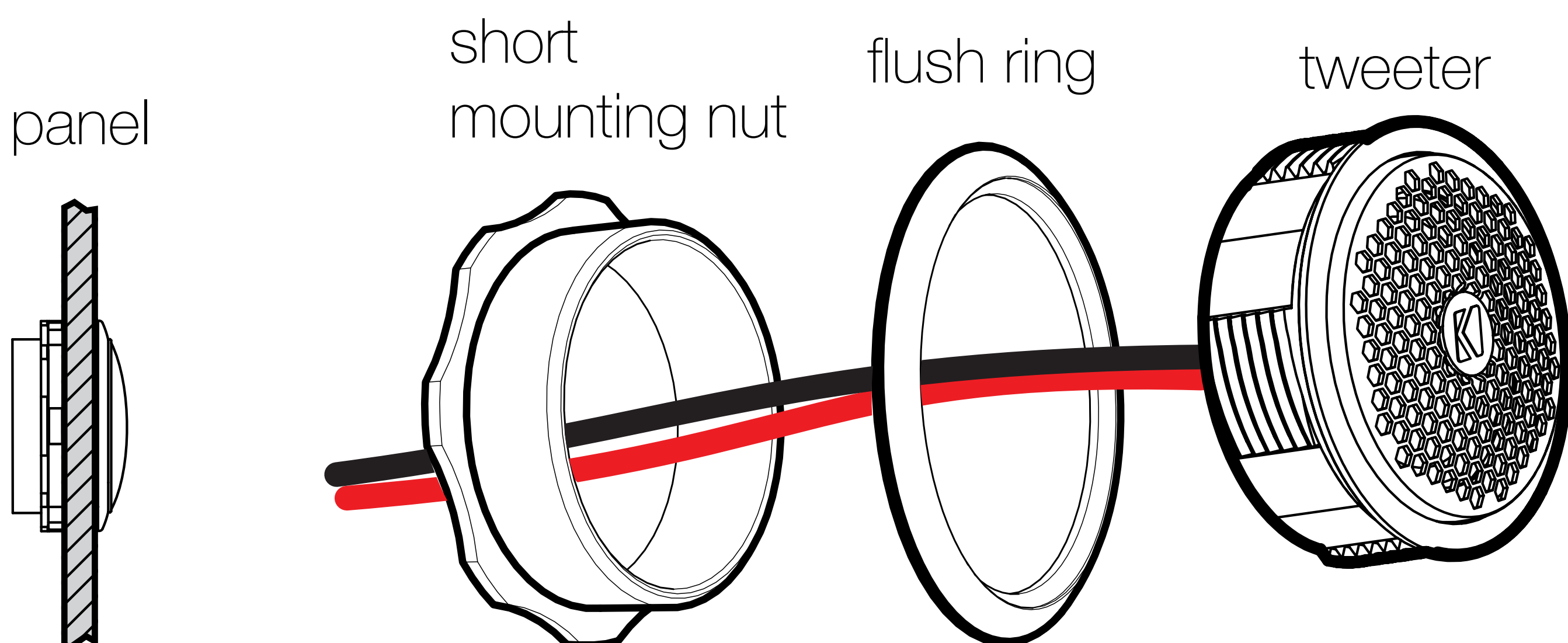
# Tweeter Mounting

The tweeter can be separately mounted one of three ways: flush, angled and pod. For flush mounting applications, choose a flat location on the panel with space behind the panel to allow room for the short mounting nut, motor structure, and tweeter. After checking the clearances, cut a 1-3/4" (44mm) diameter mounting hole in the panel. Position the short mounting nut behind the panel. Feed the wire through the optional flush ring, the hole in the panel, and the mounting nut. Mount the tweeter by screwing the mounting nut onto the tweeter.

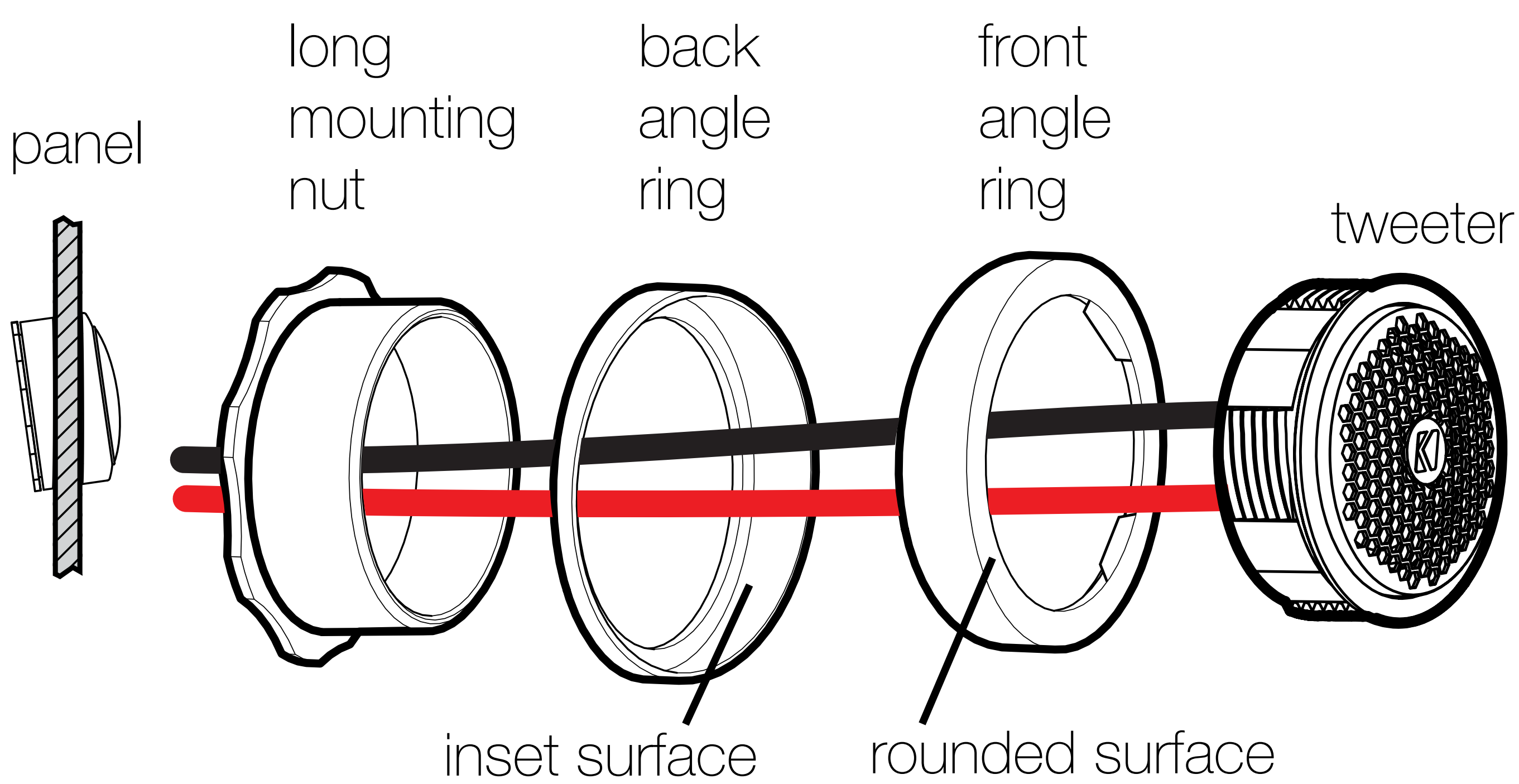
For angled mounting applications choose a flat location on the panel with space behind the panel to allow room for the long mounting nut, motor structure, tweeter post, and back angle ring. After checking the clearances, cut a 1-3/4" (44mm) diameter mounting hole in the panel. Place the front angle ring in front of the panel. Then place the wire and tweeter through the front angle ring and into the panel. Next, place the wire through the back angle ring, place the back angle ring over the rear of the tweeter, and line-up the narrow part of the front angle ring for the preferred angle of operation. Place the wire through the mounting nut and loosely tighten the mounting nut around the tweeter. Rotate all the parts in unison until the tweeter is angled in the desired direction. Secure the assembly by tightening the mounting nut.



## Flush Mounting



## Angle Mounting

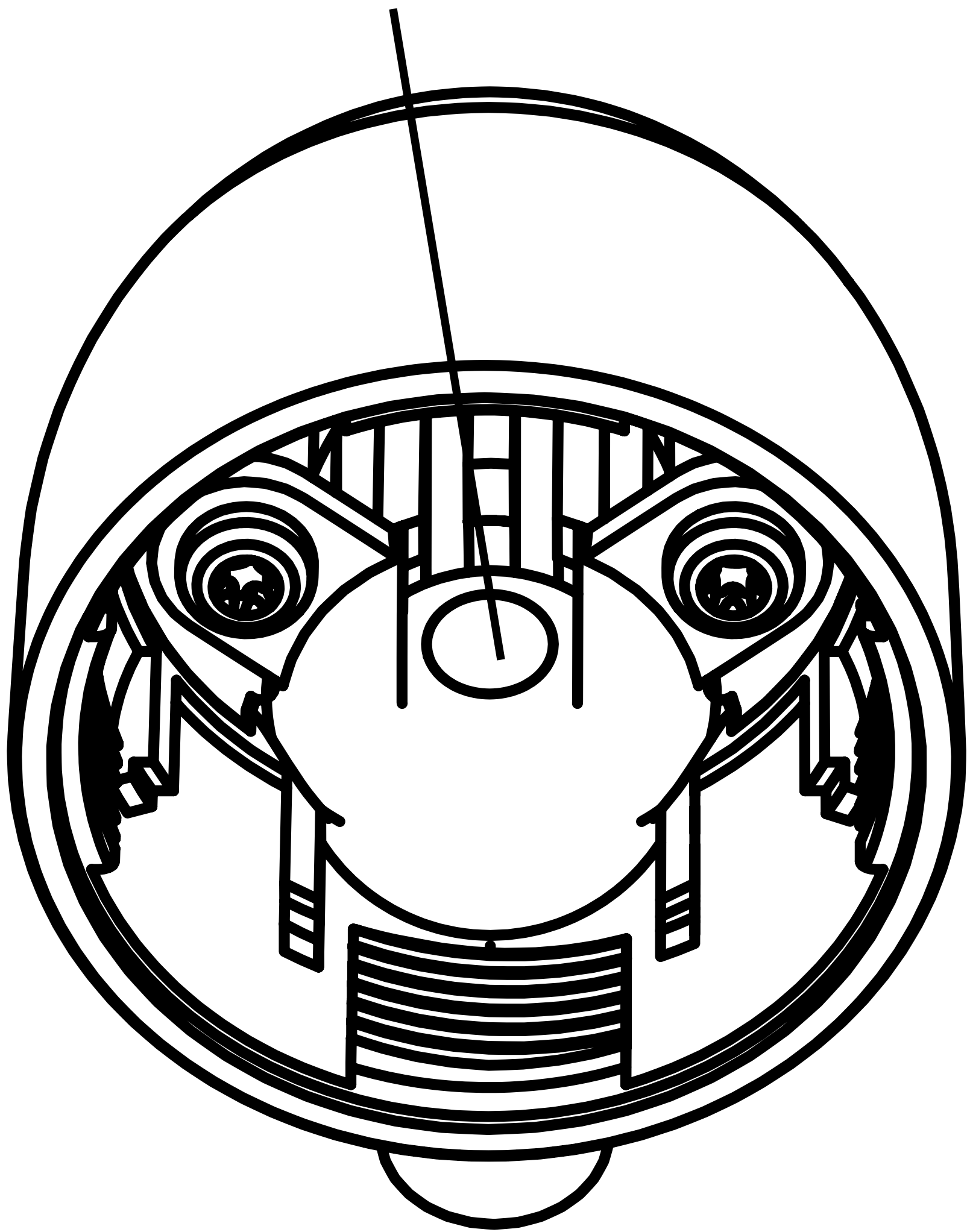


*Use a 1/8 turn with tweeter tool to secure the tweeter to the mounting nut.*

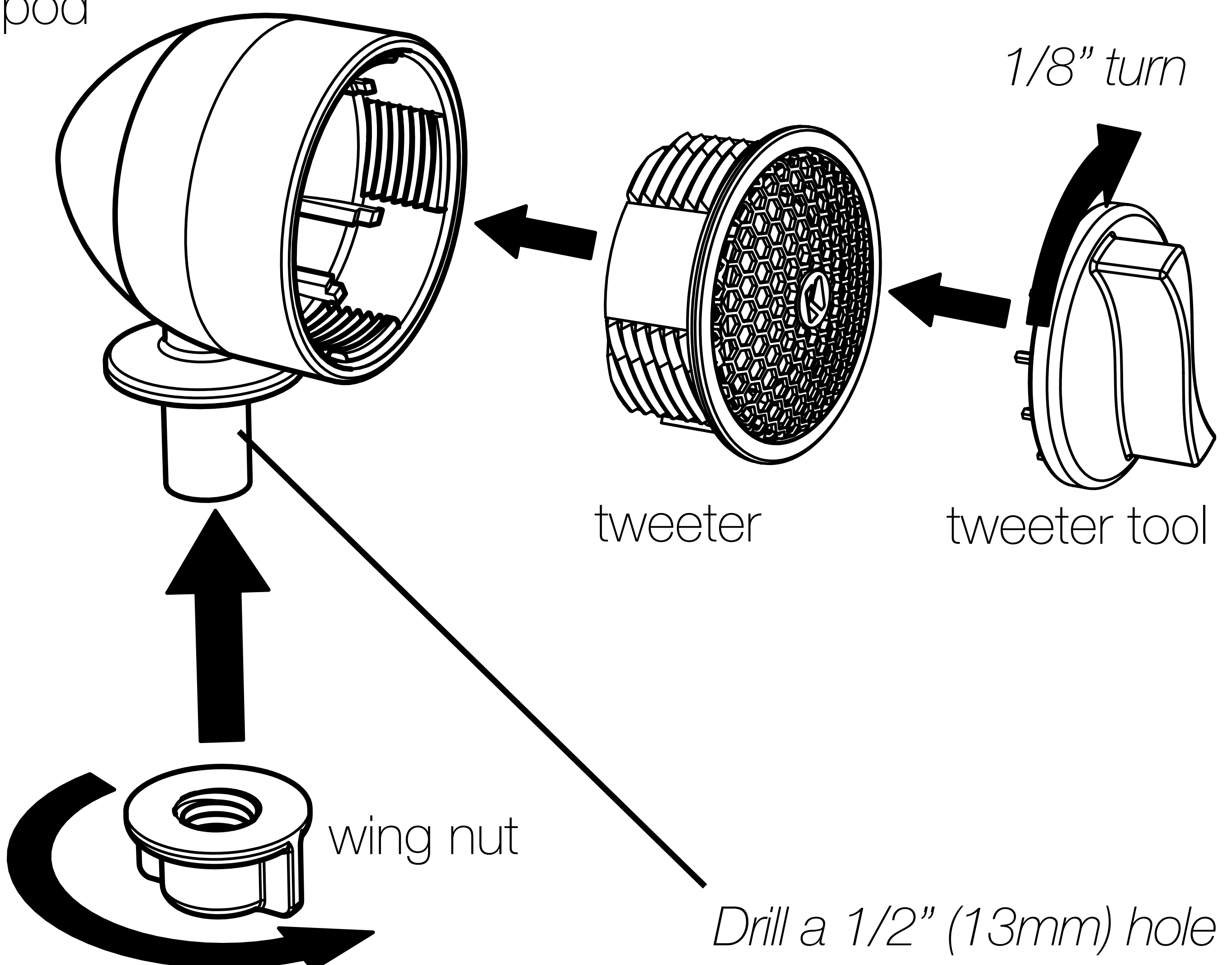
## Pod Mounting

The tweeter pod not only allows you to mount the KSS tweeter in nearly any location or application, but can also rotate 360 degrees and be directionally aimed!

*thread tweeter wires*



pod



# Warranty

---

When purchased from an Authorized KICKER Dealer, KICKER warrants this product to be free from defects in material and workmanship under normal use for a period of TWO (2) YEARS from date of original purchase with receipt. If this product is identified as “Refurbished” or “B Goods”, the warranty is limited to a period of THREE (3) MONTHS from the date of original purchase. In all cases you must have the original receipt. Should service be necessary under this warranty for any reason due to manufacturing defect or malfunction during the warranty period, KICKER will repair or replace (at its discretion) the defective merchandise with equivalent merchandise. Warranty replacements may have cosmetic scratches and blemishes. Discontinued products may be replaced with more current equivalent products. This warranty is valid only for the original purchaser and is not extended to owners of the product subsequent to the original purchaser. Any applicable implied warranties are limited in duration to a period of the express warranty as provided herein beginning with the date of the original purchase at retail, and no warranties, whether express or implied, shall apply to this product thereafter. Some states do not allow limitations on implied warranties; therefore, these exclusions may not apply to you. This warranty gives you specific legal rights; however you may have other rights that vary from state to state.

## **WHAT TO DO IF YOU NEED WARRANTY OR SERVICE:**

Defective merchandise should be returned to your local Authorized Stillwater Designs (KICKER) Dealer for warranty service. Assistance in locating an Authorized Dealer can be found at [www.KICKER.com](http://www.KICKER.com) or by contacting Stillwater Designs directly. You can confirm that a dealer is authorized by asking to see a current authorized dealer window decal.

If it becomes necessary for you to return defective merchandise directly to Stillwater Designs (KICKER), call the KICKER Customer Service Department at (405) 624-8510 for a Return Merchandise Authorization (RMA) number. Package only the defective items in a package that will prevent shipping damage, and return to:

**Stillwater Designs**  
**3100 North Husband St**  
**Stillwater, OK 74075**



The RMA number must be clearly marked on the outside of the package. Please return only defective components. The return of functioning items increases your return freight charges. Non-defective items will be returned freight collect to you. For example, if a subwoofer is defective, only return the defective subwoofer, not the entire enclosure. Include a copy of the original receipt with the purchase date clearly visible, and a “proof-of-purchase” statement listing the Customer’s name, Dealer’s name and invoice number, and product purchased. Warranty expiration on items without proof-of-purchase will be determined from the type of sale and manufacturing date code. Freight must be prepaid; items sent freight-collect, or COD, will be refused.

## **WHAT IS NOT COVERED?**

This warranty is valid only if the product is used for the purpose for which it was designed. It does not cover:

- o Damage due to improper installation
- o Subsequent damage to other components
- o Damage caused by exposure to moisture, excessive heat, chemical cleaners, and/or UV radiation
- o Damage through negligence, misuse, accident or abuse. Repeated returns for the same damage may be considered abuse
- o Any cost or expense related to the removal or reinstallation of product
- o Speakers damaged due to amplifier clipping or distortion
- o Items previously repaired or modified by any unauthorized repair facility
- o Return shipping on non-defective items
- o Products with tampered or missing barcode labels
- o Products with tampered or missing serial numbers
- o Products returned without a Return Merchandise Authorization (RMA) number
- o Products purchased from an UNAUTHORIZED dealer
- o Freight Damage
- o The cost of shipping product to KICKER
- o Service performed by anyone other than KICKER

## **HOW LONG WILL IT TAKE?**

KICKER strives to maintain a goal of one-week service for all acoustics (subwoofers, midrange drivers, tweeters, crossovers, etc) returns. Delays may be incurred if lack of replacement inventory or parts is encountered. Failure to follow these steps may void your warranty. Any questions can be directed to the KICKER Customer Service Department at (405) 624-8510. Contact your International KICKER dealer or distributor concerning specific procedures for your country’s warranty policies.

# Garantía | Garantie

---

Contact your International KICKER dealer or distributor concerning specific procedures for your country's warranty policies.

Our goods come with guarantees that cannot be excluded under the **Australian Consumer Law**. You are entitled to a replacement or refund for a major failure and for compensation for any other reasonably foreseeable loss or damage. You are also entitled to have the goods repaired or replaced if the goods fail to be of acceptable quality and the failure does not amount to a major failure.

## **GARANTÍA INTERNACIONAL**      **Versión Español**

Comuníquese con su concesionario o distribuidor KICKER internacional para obtener información sobre procedimientos específicos relacionados con las normas de garantía de su país.

La frase "combustible para vivir la vida Livin' Loud™ a todo volumen" se refiere al entusiasmo por la vida que la marca KICKER de estéreos de automóvil representa y a la recomendación a nuestros clientes de que vivan lo mejor posible ("a todo volumen") en todo sentido. La línea de altavoces y amplificadores KICKER es la mejor del mercado de audio de automóviles y por lo tanto representa el "combustible" para vivir a todo volumen en el área de "estéreos de automóvil" de la vida de nuestros clientes. Recomendamos a todos nuestros clientes que obedezcan todas las reglas y reglamentos locales sobre ruido en cuanto a los niveles legales y apropiados de audición fuera del vehículo.

## **INTERNATIONALE GARANTIE**      **Deutsche Version**

Nehmen Sie mit Ihren internationalen KICKER-Fachhändler oder Vertrieb Kontakt auf, um Details über die Garantieleistungen in Ihrem Land zu erfahren.

Der Slogan "Treibstoff für Livin' Loud" bezieht sich auf die mit den KICKER-Autostereosystemen assoziierte Lebensfreude und die Tatsache, dass wir unsere Kunden ermutigen, in allen Aspekten ihres Lebens nach dem Besten ("Livin' Loud") zu streben. Die Lautsprecher und Verstärker von KICKER sind auf dem Markt für Auto-Soundsysteme führend und stellen somit den "Treibstoff" für das Autostereoerlebnis unserer Kunden dar. Wir empfehlen allen unseren Kunden, sich bezüglich der zugelassenen und passenden Lautstärkepegel außerhalb des Autos an die örtlichen Lärmvorschriften zu halten.

## **GARANTIE INTERNATIONALE**      **Version Française**

Pour connaître les procédures propres à la politique de garantie de votre pays, contactez votre revendeur ou distributeur International KICKER.

L'expression "carburant pour vivre plein pot" fait référence au dynamisme de la marque KICKER d'équipements audio pour véhicules et a pour but d'encourager nos clients à faire le maximum ("vivre plein pot") dans tous les aspects de leur vie. Les haut-parleurs et amplificateurs KICKER sont les meilleurs dans le domaine des équipements audio et représentent donc pour nos clients le "carburant pour vivre plein pot" dans l'aspect "installation audio de véhicule" de leur vie. Nous encourageons tous nos clients à respecter toutes les lois et réglementations locales relatives aux niveaux sonores acceptables à l'extérieur des véhicules.

P.O. Box 459

Stillwater, Oklahoma 74076

USA

(405) 624-8510

 **stillwaterdesigns**