

INTRODUCTION

Congratulations on your purchase of the world's finest brand of audio products. At RECOIL we are fanatics about musical reproduction at its best, and we are pleased you chose our product. Through years of engineering expertise, hand craftsmanship and critical testing procedures, we have created a wide range of products that reproduce music with all the clarity and richness you deserve. For maximum performance we recommend you have your new RECOIL product installed by an Authorized RECOIL Dealer, Please read your warranty and retain your receipt and original carton for possible future use.

FEATURES

- Diecast Aluminum Case
- Dual 4-Ohm 12" (305mm) Subwoofer
- 350W RMS / 700W MAX Power Handling
- Hidden Spare Tire Subwoofer System
- Comes with Installation Hardware

NOTE:

This spare tire subwoofer design is ONLY suitable for assembly into OVER 15 inch Spare Tires.

LIST OF ARTICLES

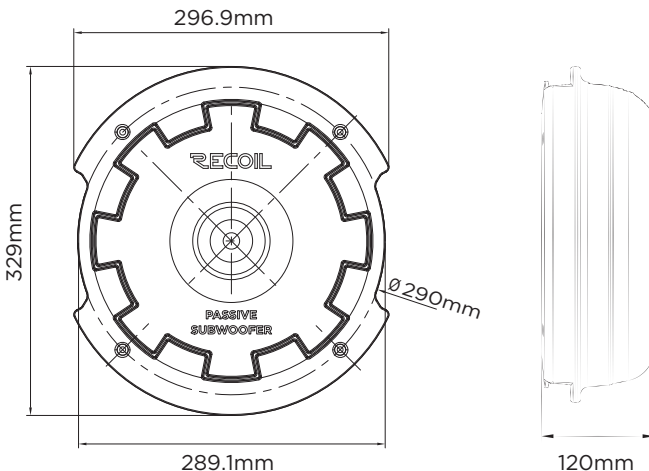
Open package

Please confirm the em # on the package of the subwoofer you purchased(Model# is on the package) If the model # is different from what you want to purchase,please contact your purchase merchant immediately

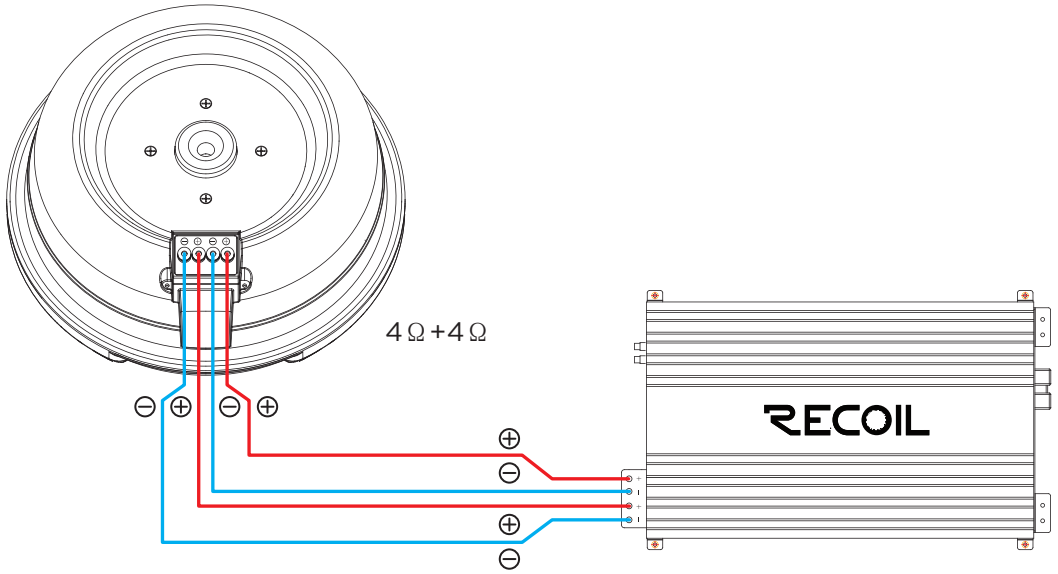
✦ Open the packing box and you will find the following items in it

- 1 PC Manual
- 1 PC Hold Down Screw Bolt (M8x 200mm)
- 2PCS Sponge Stickers
- 1 PC Rubber Gasket
- 1 PC Assembly Base

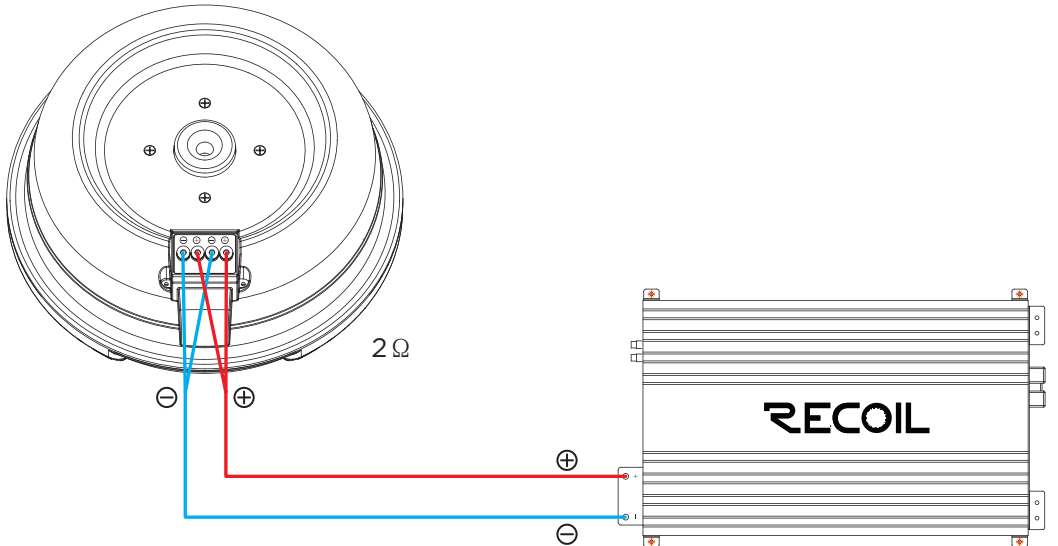
DIMENSIONS



WIRING DIAGRAM



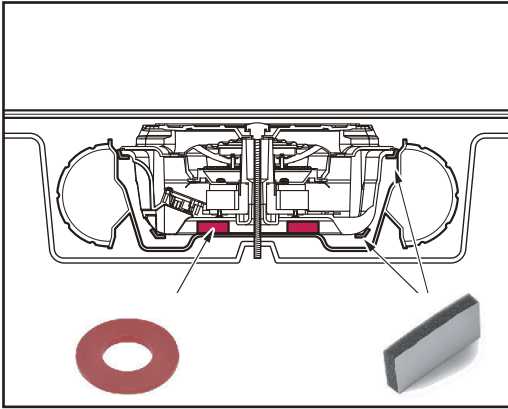
INPUT SIGNAL/POWER CONNECTION



SPECIFICATIONS

- 12" Subwoofer With 1338g(47Oz) Magnet
- PA66+ 15% glass fiber cone with Rubber Edge
- Voice Coil : 2" (50mm) 4Ω+4Ω
- Impedance: 2.0Ω
- Frequency response: 50-150Hz
- Rated power: 350W
- Max. power: 700W
- Dimensions: Φ360mmx120mm

INSTALLATION INSTRUCTIONS



NOTE:

Put the foam and rubber gasket into the correct positions shown above.

WARNING

Continuous listening at the High levels may jeopardize hearing.
Over 130dB continuous listening may causes permanent damage.

Attention:

This passive spare tire subwoofer design is only suitable for assembly into over 15-inch/380mm spare tire.



1. FIRST Make sure your spare tire is suitable for the RECOIL spare tire subwoofer (minimum 15"/380mm).
2. Clean your cars trunk area.
3. Remove the trunk base board and gasket from the trunk.
4. Remove the screw bolt from the spare tire. (do NOT throw away!)
5. Clean your spare tire.
6. Check and see that the PST12 Hold Down Screw Bolt (M8X 200mm).
7. The "Cup" (As shown to the bottom right-and included) is used in some installations. Double check your specific spare tire.



ALTERNATE INSTALL



TYPICAL INSTALL

WARRANTY

Recoil Audio warrants the original owner that this product. Will be free of defects in material and workmanship for the period of one year from the date of the original purchase or installation, if:

- (I) The allegedly defective product has not been abused, misused or improperly maintained and or repaired during the warranty period,
- (II) The defect is not caused by flooding, fire, explosion, earthquakes or similar phenomenon.
- (III) The defect is not caused by improper use.

In order to obtain warranty service, contact your selling dealer or distributor in the country that your product was purchased. Recoil Audio will at its option, repair or replace the product free of charge.

To the full extent allowed by law, Recoil Audio excludes and disclaims liability, whether based in contract or tort including negligence for any consequential, indirect incidental or special damages of any nature arising out of the sale, maintenance, use or failure of this product, even if Recoil Audio has been advised of the possibility of such damages in advance, and Recoil Audio limits its liability to replacement, repair or refund of the purchase price paid, at Recoil Audio's option. Some states do not allow limitations on how long an implied warranty lasts and/or do not allow the exclusion or limitation of incidental or consequential damages, so the above limitation on implied warranty can incidental or consequential damages may not apply to you. This Warranty gives you specific legal rights you may have other rights, which vary from state to state.