

One Year Limited Warranty

Recoil Audio warrants the original owner that this product will be free of defects in material and workmanship for the period of one year from the date of the original purchase or installation, if:

- (i) The allegedly defective product has not been abused, misused or improperly maintained and/or repaired during the warranty period,
- (ii) The defect is not caused by flooding, fire, explosion, earthquakes or similar phenomenon, and
- (iii) The defect is not caused by improper use

In order to obtain warranty service, contact your selling dealer or distributor in the country that your product was purchased. Recoil Audio will, at its option, repair or replace the product free of charge.

To the full extent allowed by law, Recoil Audio excludes and disclaims liability, whether based in contract or tort including negligence for any consequential, indirect incidental or special damages of any nature arising out of the sale, maintenance, use or failure of this product, even if Recoil Audio has been advised of the possibility of such damages in advance, and Recoil Audio limits its liability to replacement, repair or refund of the purchase price paid, at Recoil Audio's option.

Some states do not allow limitations on how long an implied warranty lasts and/or do not allow the exclusion or limitation of incidental or consequential damages, so the above limitation on implied warranty can incidental or consequential damages may not apply to you. This warranty gives you specific legal rights you may have other rights, which vary from state to state.

www.recoilcaraudio.com

© 2018, all rights reserved. Recoil and its ® logo are registered trademarks of Ningbo AVS Industrial Company, Limited. All other trademarks are property of their respective owners. AVS Industrial assumes no responsibility or liability for damages incurred with the improper use of this product.

RECOIL®

11" ACTIVE SPARE TIRE SUBWOOFER

- Diecast Aluminum Case
- 11" (280mm) Subwoofer
- 450 WRMS / 1000MAX Class D Amplifier
- EZ Plug Connection System
- Totally Hidden Sub System
- Remote Control Volume, Bass Boost, Low Pass Filter and PhaseAuto On/Off

ECHO Series

RST11

INSTALLATION OPERATION

Introduction

Congratulations on your purchase of the world's finest brand of audio products. At RECOIL we are fanatics about musical reproduction at its best, and we are pleased you chose our product. Through years of engineering expertise, hand craftsmanship and critical testing procedures, we have created a wide range of products that reproduce music with all the clarity and richness you deserve. For maximum performance we recommend you have your new RECOIL product installed by an Authorized RECOIL Dealer, Please read your warranty and retain your receipt and original carton for possible future use.

ECHO RST11 Powered Subwoofer Features

- Diecast Aluminum Case
- 11" (280mm) Subwoofer
- 450 W RMS Class D Amplifier
- EZ Plug Connection System
- Totally Hidden Sub System
- Remote Control Volume, Bass Boost, Low Pass Filter and Phase
- Auto On/Off

NOTE: This spare tire subwoofer design is ONLY suitable for assembly into OVER 15 inch Spare Tires

List of Articles

Open package

Please confirm the item # on the package of the subwoofer you purchased (Model# is on the package).

If the model # is different from what you want to purchase, please contact your purchase merchant immediately

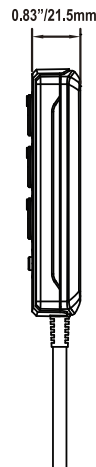
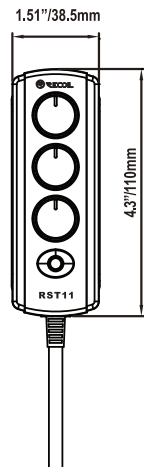
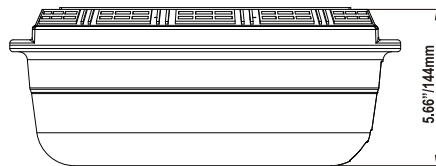
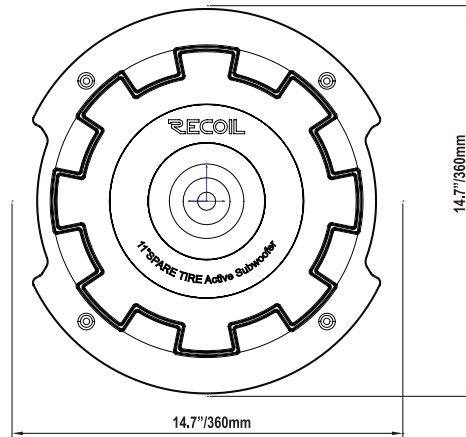
✿ Open the packing box and you will find the following items in it

- ☑ 1 PC Manual
- ☑ 1 PC Hold Down Screw Bolt (M8x 200mm)
- ☑ 2 PC Sponge Stickers
- ☑ 1 PC Rubber Gasket
- ☑ 1 PC Power Signal Harness/Cable Assembly
- ☑ 1 PC Remote Control and 20ft (6mm) Cable Assembly
- ☑ 1 PC Assembly Base

Trouble-Shooting

PROBLEM	SOLUTION
Does not turn on	<ol style="list-style-type: none"> 1. Check 12V (+), 12V (GND) to make sure they are connected or well terminated 2. Check 12V remote trigger for proper termination, make sure that there is more than 5VDC 3. Make sure that the cars battery or power system is over 12VDC 4. Make sure that the fuse is good 5. Make sure that the "Power" LED is lit, if not check to make sure car's ignition is on
Protection LED is lit or the woofer is in overheat protection	<ol style="list-style-type: none"> 1. Make sure the woofer doesn't have a short 2. Adjust the volume to avoid over driving the woofer 3. Remove the speaker connections, restart the amplifier, if it goes straight into protection this means the amplifier has failed and will be service
No Output	<ol style="list-style-type: none"> 1. Make sure the woofer doesn't have a short 2. Make sure amplifier has a good connection to 12V (GND) 3. Check 12V remote trigger for proper termination, make sure that there is more than 5VDC 4. Make sure RCA's or high level input connections are fully engaged 5. Make sure speaker cables are securely connected
Low Output	<ol style="list-style-type: none"> 1. Reset the volume control 2. Make sure the filtering is switched to the right settings
Hiss when playing music	<ol style="list-style-type: none"> 1. Disconnect the amplifier signal cable, if the noise disappears this means a defective signal cable or head unit, replace the signal cable first if this doesn't fix the issue then replace the head unit 2. Turn the amplifier volume down, turn the head unit volume higher but not into distortion
Woofer making weird audible noise	<ol style="list-style-type: none"> 1. Check RCA connections 2. Turn the amplifier volume down, turn the head unit volume higher but not into distortion
Amplifier Overheating	<ol style="list-style-type: none"> 1. Check the woofer impedance, if woofer is damaged the amplifier might be seeing too low of an impedance load 2. Make sure the amplifier has good ventilation, you might need to remove some of the trunk mat backing so that some more air can move around the woofer assembly

RST-11 Dimensions



RST-11 Remote Control Features

1. VOLUME

Adjust the knob to minimum position (fully Counter Clockwise) before turning the subwoofer ON. Put on some dynamic music (NOT FM) Turn the VOLUME up on your radio to about 3/4 of maximum. Now increase the volume of active subwoofer REMOTE until you hear distortion. Then turn the volume on the REMOTE down slightly lower.

2. LOW PASS FILTER

This knob is used for adjusting the range of low pass frequencies (50Hz -150Hz) which the Active Subwoofer will play.

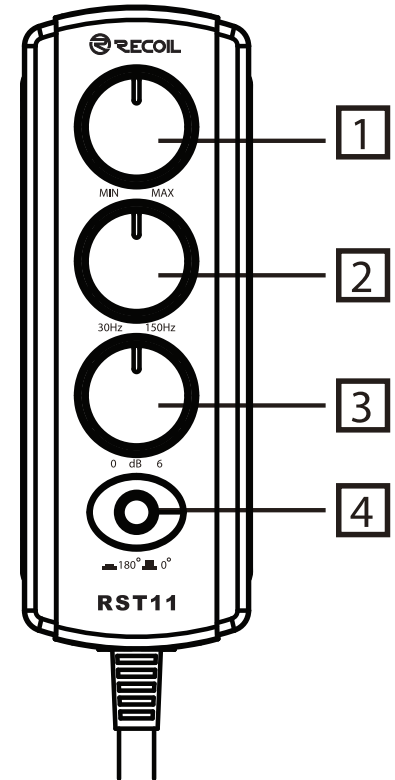
ATTENTION: Actual frequency of the low pass filter may be higher or lower than what the knob indicates by 20%

3. BASS BOOST

This knob is used for adjusting Bass Boost BE CAREFUL! Only Use Bass Boost if the music has very weak bass as this increases distortion and heat. Which could put your active subwoofer into protection

4. PHASE

If the bass sounds "strange" flip this switch IN and OUT (0 to 180 degrees) to get the best bass response for your vehicle. It all depends on the distance from your ears to the subwoofer and how much the truck is dampening the subwoofers output



RST-11 - Panel

1. Power Indicator Light:

When power is working properly, green light is "ON", IF in Protection MODE, RED Light is on

2. Remote Control:

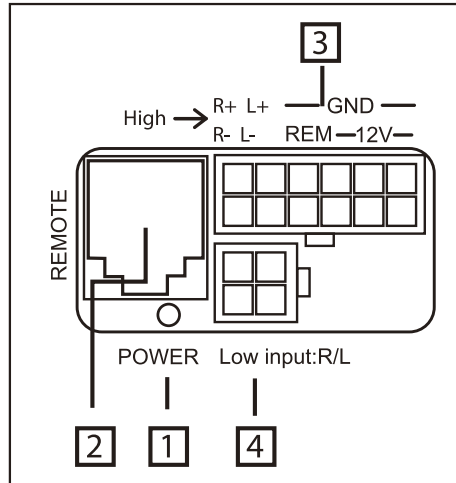
After the Remote is connected you can control the active subwoofer.

3. EZ Plug Connector:

Main Power and Signal Input Connector

4. Low Level Input Connector:

Low Level (speaker) Input



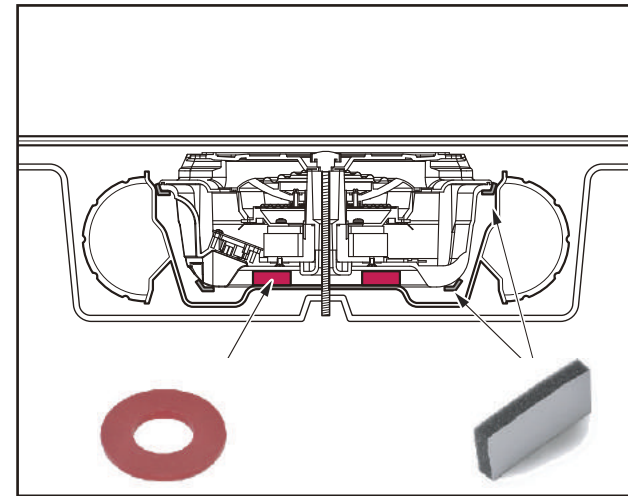
RST-11 Specifications

Model	RST-11
Woofer Diameter:	11 Inch/280mm
Power:	450WRMS/1000W Peak
Total Harmonic Distortion:	<1.0%
Signal To Noise Ratio:	>90dB
Frequency Response:	20-150Hz
High Level Input Sensitivity:	10V
Low Level Input Sensitivity:	0.4V
Low Pass Filter:	50Hz - 150Hz
Bass Boost:	0 to +12dB
High Pass Filter:	20Hz
Fuse:	40A

Warning

Continuous listening at the High levels may jeopardize hearing. Over 130dB continuous listening may causes permanent damage.

RST-11 Installation Instructions



Put the foam and rubber gasket into the correct positions shown above



- A.Active subwoofer connect to power cable
- B.Active subwoofer connect to remote control
- C.Fix to original position with spanner of L shape
- D.Fix the active subwoofer into spare tire with provided screw

RST-11 Installation Instructions

Attention: This spare tire subwoofer design only suitable for assembly into over 15inch/380mm spare tire.



1. FIRST Make sure your spare tire is suitable for the RECOIL spare tire subwoofer (minimum 15 inch/380mm)
2. Clean your cars trunk area,
3. Remove the trunk base board and gasket from the trunk
4. Remove the screw bolt from the spare tire. (do NOT throw away!)
5. Clean your spare tire.
6. Check and see that the RST11 Hold Down Screw Bolt (M8 X 200mm)
7. The "Cup" (As shown to the bottom right -and included) Is used in some installs. Double check your specific spare tire

TYPICAL INSTALL



ALTERNATE INSTALL



"CUP"

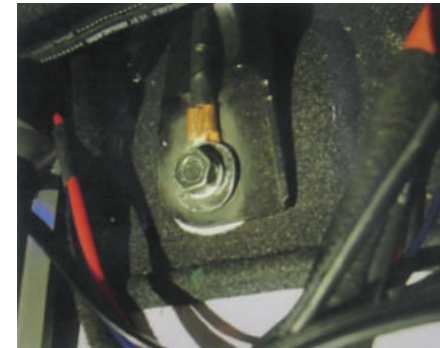


RST-11 Power Connections

A: Ground terminal connect to the closely position of amp on the car basis. Ground cable less than 39inch (100cm) length with No.8 or bigger size. (This part not provided)

B: Controlling terminal use No.16 or bigger size cable, which connect to the output terminal of headunit.

C: 40cm length, 8AWG or bigger cable connect to fuse box, which without fuse. One side of fuse box connect to positive of battery car battery. The other side connect to +12V Active subwoofer terminal with 8AWG cable. Double check the connected without mistake, put the fuse into the fuse box.



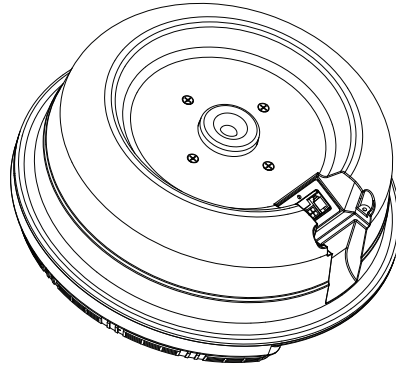
A. connect the ground terminal/negative cable in black to active subwoofer, which nearest to car basis.



C. Power/positive cable in red, get power from the car battery. (connect the power cable to positive of the battery

Low Level (RCA) Input Connection Method

Low Level (RCA) input connection can typically provide the best bass, RCA's (are not provided). In order to decrease the distortion and interference, we recommend you choose High Quality Twisted Pair RCA cables.



Attention: High power input and low power input do not connect in same time!

High Level (Speaker) Input Connection Method

If headunit is without RCA outputs, Connect the amplifier speaker output to the input of the high power speaker input terminal of the RST-11 (As shown to the right)

