



**RECOIL<sup>®</sup>**

## **SW8P / SW10P**

8" /10" Active Subwoofer with Passive Radiator

## **User Manual**

Thank you for your purchase and welcome to RECOIL ! In order to enjoy the better service from us, please keep your original invoice well and complete the warranty card. You'd better post the copy of the warranty card back to the appointed service agent of RCEOIL, So that you may get more technical support.

## ACCESSORY LIST

Owner's Manual	1 piece
Installation Wiring Kits	1 Set
Remote Control	1 piece
Bracket	4 pieces
Screws	8 pieces
Brackets Screws	8 pieces

## SPECIFICATIONS

<b>Description</b>	8"/10" Active Subwoofer with Built-in Passive	
<b>Woofers size:</b>	8"	10"
<b>Woofers Diaphragm</b>	Paper	Paper
<b>Power Rating (RMS/PEAK)</b>	300W/ 600W@2Ohm	300W/ 600W@2Ohm
<b>Frequency Response</b>	20Hz-200Hz	20Hz-200Hz
<b>Input Sensitivity</b>	87 ± 2db/1W@1M	87 ± 2db/1W@1M
<b>Fuse Rate</b>	30A X 1	30A X 1
<b>Dimensions (HxWxD)</b>	251X251X335MM	300X300X278MM

## WARNING

**Do not operate any function that takes your attention away from safely driving your vehicle.** Any function that requires your prolonged attention should only be performed after coming to a complete stop. Always stop the vehicle in a safe location before performing these functions. Failure to do so may result in an accident.

**Keep the volume at a level where you can still hear outside noises while driving.** Excessive volume levels that obscure sounds such as emergency vehicle sirens or road warning signals (train crossings etc.) can be dangerous and may result in an accident. Listening at loud volume levels in a car may also cause hearing damage.

## WARNING

---

- **Do not disassemble or alter.** Doing so may result in an accident, fire or electric shock.
- **Use this product for mobile 12V applications.**
- **Use the correct ampere rating when replacing fuses.** Failure to do so may result in fire or electric shock.
- **Do not block vents or radiator panels.** Doing so may cause heat to build up inside and may result in fire.
- **Make the correct connections.** Failure to make the proper connections may result in fire or product damage.
- **Use only in vehicles with a 12 volt negative ground.** Failure to do so may result in fire, etc. (Check with your dealer if you are not sure.)
- **Before wiring, disconnect the cable from the negative battery terminal.**
- **Do not allow cables to become entangled in surrounding objects.** Arrange wiring and cables in compliance with the manual to prevent obstructions when driving. Cables or wiring that obstruct or hang up on places such as the steering wheel.
- **Do not splice into electrical cables.** Never cut away cable insulation to supply power to other equipment. Doing so will exceed the current carrying capacity of the wire and result in fire or electric shock.
- **Do not damage pipe or wiring when drilling holes.** When drilling holes in the chassis for installation, take precautions so as not to contact, damage or obstruct pipes, fuel lines, tanks or electrical wiring. Failure to take such precautions may result in fire.
- **Do not use bolts or nuts in the brake or steering systems to make ground connections.**
- **Keep small objects such as bolts or screws out of the reach of children.** Swallowing them may result in serious injury. If swallowed, consult a physician immediately.

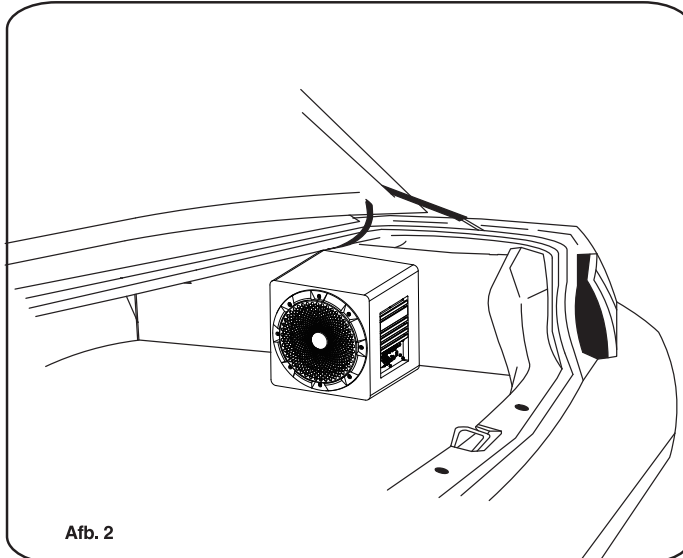
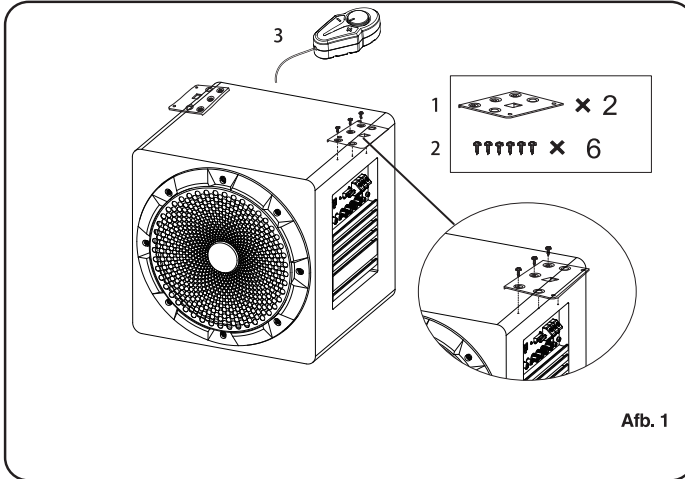
## CAUTION

---

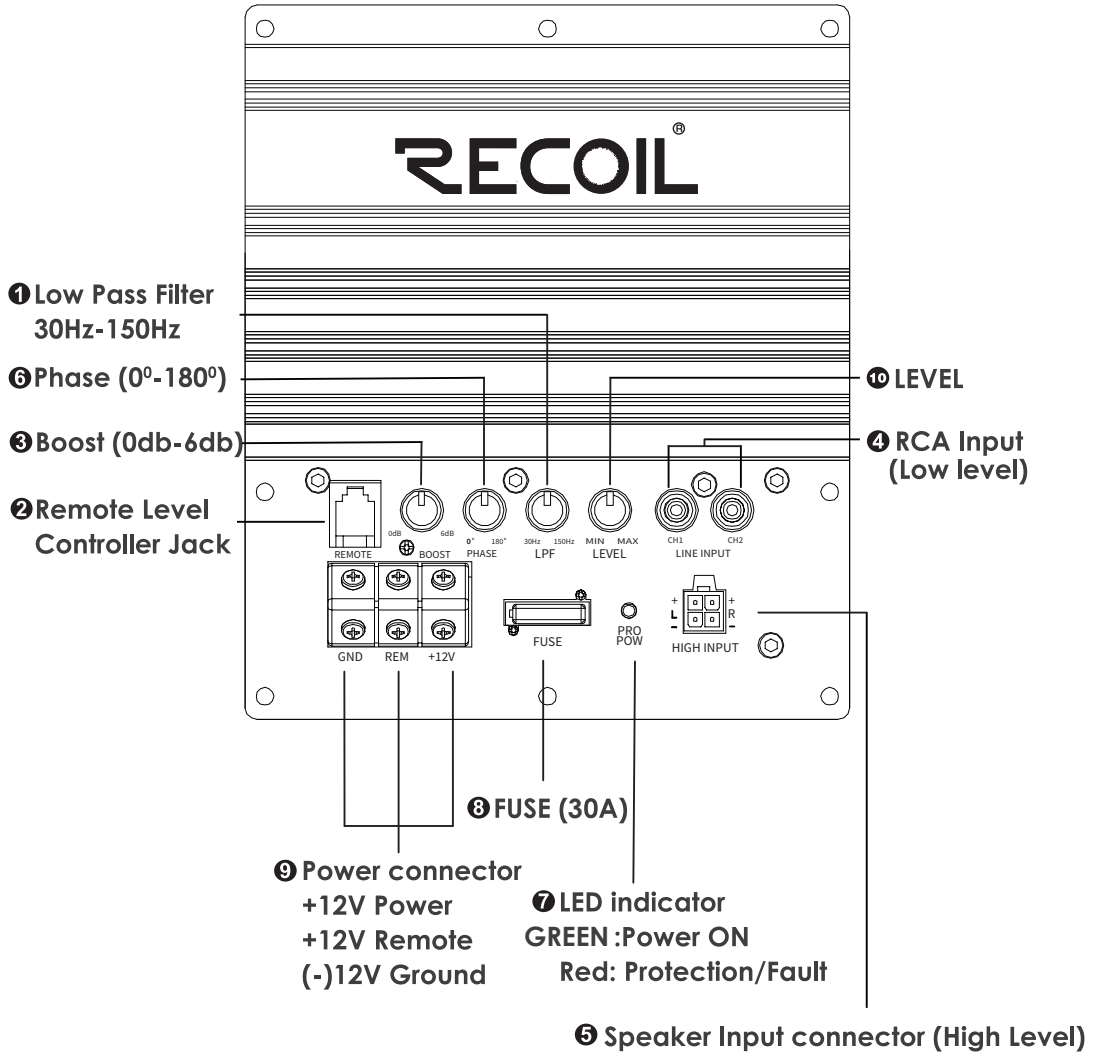
- **Halt use immediately if a problem appears.** Failure to do so may cause personal injury or damage to the product. Return it to your authorized dealer or the nearest Service Center for repairing,
- **Have the wiring and installation done by experts.** The wiring and installation of this unit requires special technical skill and experience. To ensure safety, always contact the dealer where you purchased this product to have the work done.
- **Use specified accessory parts and install them securely.** Be sure to use only the specified accessory parts. Use of other than designated parts may damage this unit internally or may not securely install the unit in place.
- **Arrange the wiring so it is not crimped or pinched by a sharp metal edge.** Route the cables and wiring passes (like the seat rails) or sharp or pointed edges. This will prevent crimping and damage to the wiring. If wiring passes through a hole in metal, use a rubber grommet to prevent the wire's insulation from being cut by the metal edge of the hole.
- **Do not install in locations with high moisture or dust.** Avoid installing the unit in locations with high incidence of moisture or dust, Moisture or dust that penetrates into this unit may result in product failure.

## MOUNTING

1. Attach the included mounting plates with the supplied screws.
2. Once the mounting plates are attached, position the SW8P/SW10P in the desired location within the vehicle. Before securing, check to make sure all the screw locations can affix to a structurally solid surface, while avoiding vehicle wiring, components, etc.



WIRING DIAGRAM



## WIRING DIAGRAM

---

### 1. Low-pass Filter

A built-in 12dB/octave filter with a crossover point variable from 30Hz to 150Hz. This setting allows you to adjust your subwoofer system's crossover frequency. The most common setting is between 30Hz and 90Hz depending on the bass output of satellite speakers.

### 2. Remote Level Control

In systems where separate subwoofer level control is unavailable, the included remote bass control may be used to adjust the bass level remotely. If set to maximum as recommended during initial setup, it will function as an attenuator.

### 3. BOOST: 0db -6 db

### 4. RCA Inputs

Connect to Left and Right RCA inputs.

### 5. Speaker Input Connection

Connect to Left and Right Speaker (+/-) high level inputs.

### 6. Phase Select

With this switch at 0°, the SW8P/SW10P output will be in phase with full-range speakers in the system. At 180°, it will be out of phase. It may be advantageous to try both positions, depending on the particular vehicle or subwoofer location.

### 7. Power-Protect LED

Illuminates Green when the unit is turned on. Illuminates Red if a short circuit or other fault is detected. The amplifier will automatically shut down if this occurs.

### 8. Fuse

Use 30 Amp fuse. Replace ONLY with the same value fuse.

### 9. Power Connections

Use the included installation wiring kits for the amplifier's power connections: +12V Power, -12V Ground, & +12V Remote.

### 10. LEVEL

Using a dynamic music CD as a source, and with GAIN set to MIN (minimum), increase the headunit volume until the output becomes noticeably distorted. Then reduce the headunit volume to just below the point of distortion onset. Adjust the GAIN as necessary to achieve maximum system volume at minimum amplifier gain while avoiding output clipping. **IMPORTANT NOTES:** For initial GAIN adjustment with Remote Bass Control, if used, set to maximum.

## WIRING DIAGRAM

