



**RET1/RCX4/RCX525/REM525
RCX65/REM65/RCX694**

Recoil Echo Series Component and Coaxial Speakers
User Manual

Introduction

Congratulations for purchasing Recoil speakers for your car audio system. You have chosen Recoil because you deserve the best!

Recoil speakers are designed and engineered to reproduce great sound quality for many years of listening enjoyment in your vehicle! We highly recommend that your new speakers be installed by an authorized Recoil dealer. Your authorized dealer can professionally assemble/disassemble the interior of your vehicle and set the proper speaker placement for ideal sound quality,

If you decide to install the speakers by yourself, please thoroughly read through this manual before getting started. This manual will help familiarize yourself with these speakers and guide you through the installation process and procedures.

Please contact your local authorized Recoil dealer if you have any questions regarding the instructions in this manual. If you require additional assistance, please contact the Recoil Technical Support Department during business hours at 480.703.3377

Specifications

| Model | Type | Power Handling |
|--------|------------------------------------|-----------------------------------------------|
| RET1 | Recoil 1" Tweeter Add-on Kit | Peak Power - 50 Watts RMS Power - 25 Watts |
| RCX4 | Recoil 4" 2-way Coaxial Speaker | Peak Power - 90 Watts RMS Power - 45 Watts |
| RCX525 | Recoil 5.25" 2-way Coaxial Speaker | Peak Power - 100 Watts RMS Power - 50 Watts |
| REM525 | Recoil 5.25" Component Speaker | Peak Power - 100 Watts RMS Power - 50 Watts |
| RCX65 | Recoil 6.5" 2-way Coaxial Speaker | Peak Power - 120 Watts RMS Power - 60 Watts |
| REM65 | Recoil 6.5" Component Speaker | Peak Power - 120 Watts RMS Power - 60 Watts |
| RCX694 | Recoil 6X9" 4-way Coaxial Speaker | Peak Power - 140 Watts RMS Power - 70 Watts |

Installation

Installing the Speakers

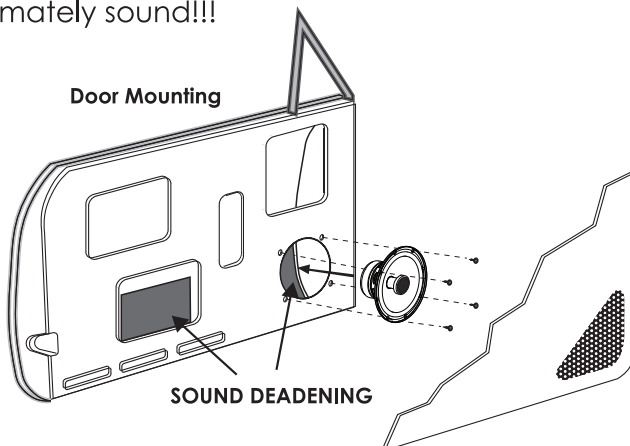
Your new Recoil speakers were designed with the flexibility to be installed in multiple locations. However, to ensure the best performance possible, it is important to isolate the front sound waves of the speaker from its rear sound waves. This is done by securely mounting the speaker to a flat surface known as a baffle. Make sure to seal the speaker to ensure there are no air leaks around its frame.

Selecting a Location

If your vehicle has existing factory locations, the easiest method would be to replace them with the exact same size speaker. In the case where there is not a factory speaker location, there are many places where the speakers will fit in a vehicle, but they are not always the best locations for good sound. Make sure to take the time to select the best locations possible, Mounting the speakers so that they are equal distance from your ears will achieve the best results. If you experience any difficulties please consult with your local authorized Recoil dealer. They have the tools and know-how to help.

Door Mounting (if not using factory locations)

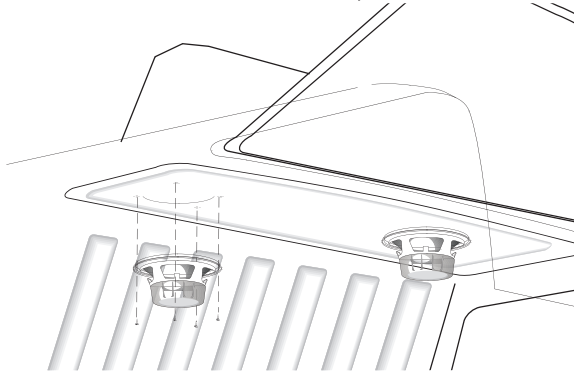
Prior to cutting, remove the panel from the door and check for clearance in the intended installation area, making sure the window will go all the way up and down without any interference. Avoid cutting any structural metal support or braces to mount the speakers. We HIGHLY recommend that for the BEST sound you put a sound deadening mat on the door "skin" (as shown below). The more "damped" your car is.... the better it will ultimately sound!!!



Installation

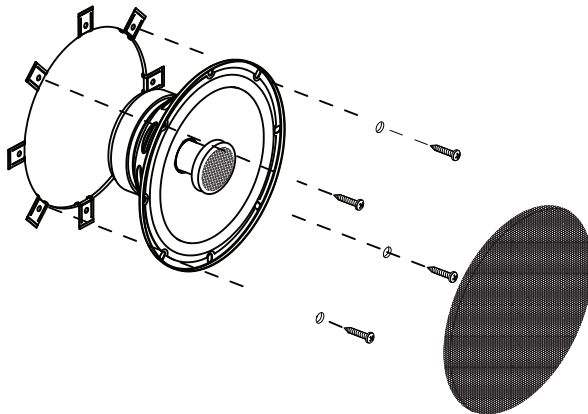
Rear Deck Mounting

There are two primary methods for mounting speakers in the rear deck of a vehicle, top and bottom mounting. Top mounting requires dopping the speakers in through the deck (interior) while bottom mounting secures the speakers from underneath (trunk). Either method requires a good seal around the frame for the best performance.



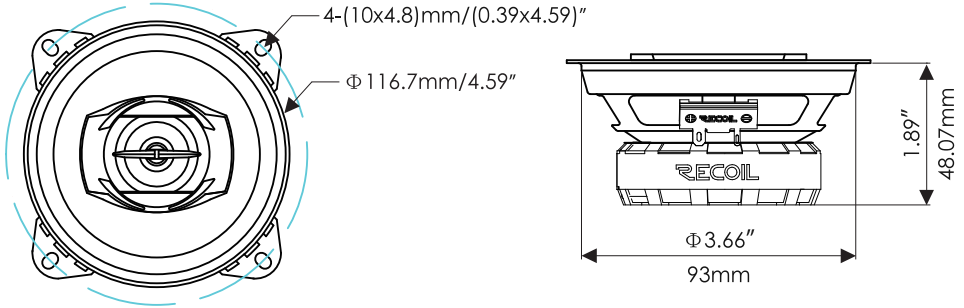
Running New Wiring

In most cases when mounting new speakers you will use the factory supplied wiring, but if new wires have to be run there are some precautions that need to be taken. If the wire needs to run through metal, such as a door jamb, always use a grommet to prevent damage to your wires. Never run wire through bare metal! This can damage the source unit, amp, or even the speakers themselves. Safety of the wiring against short ciruis is THE MOST IMPORTANT INSTALLATION CONCERN.

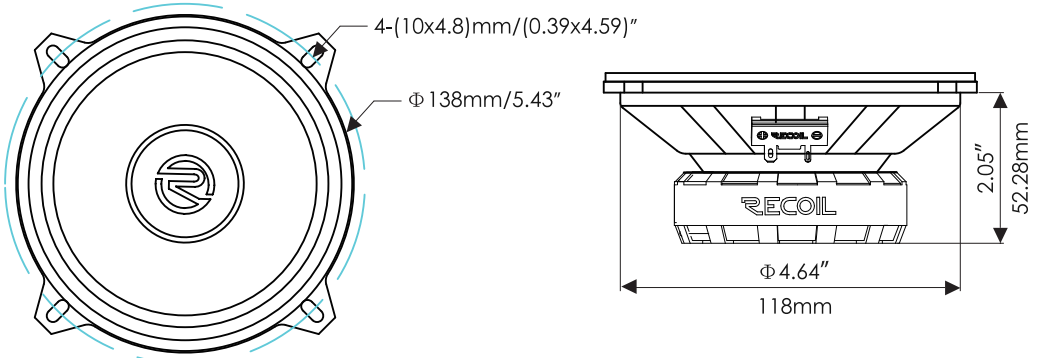


Specifications

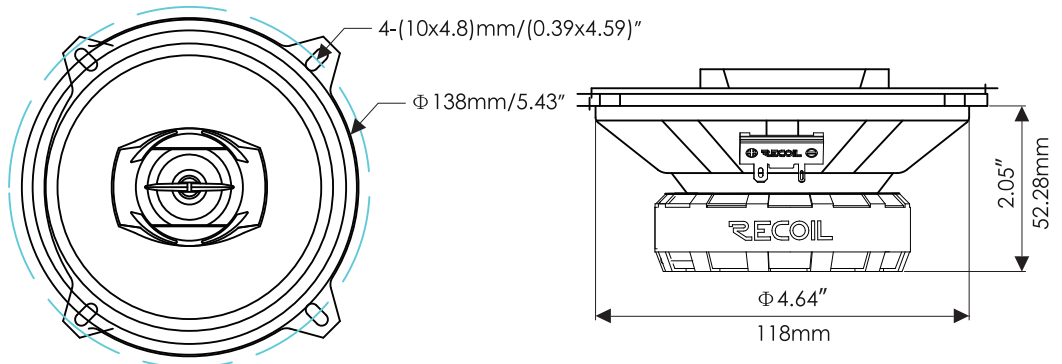
RCX4



REM525

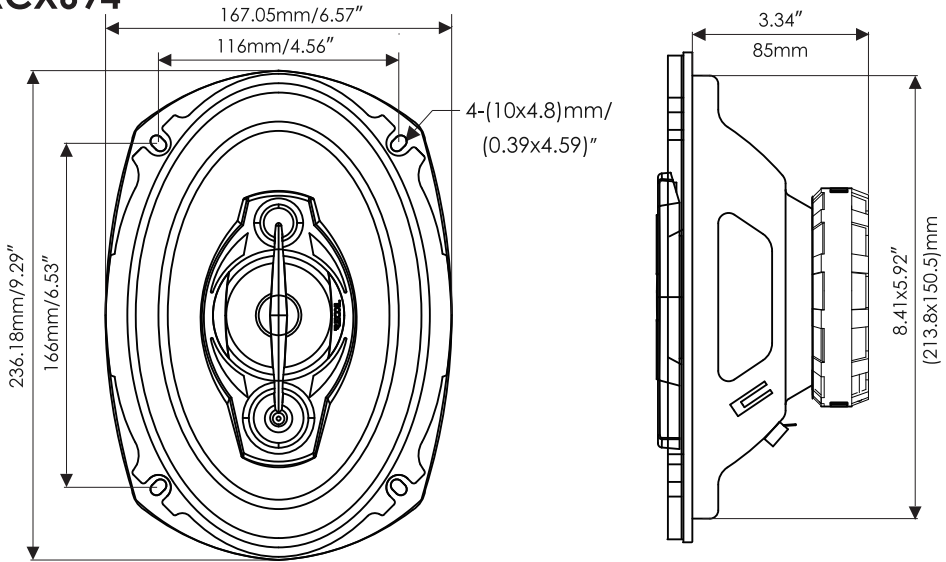


RCX525

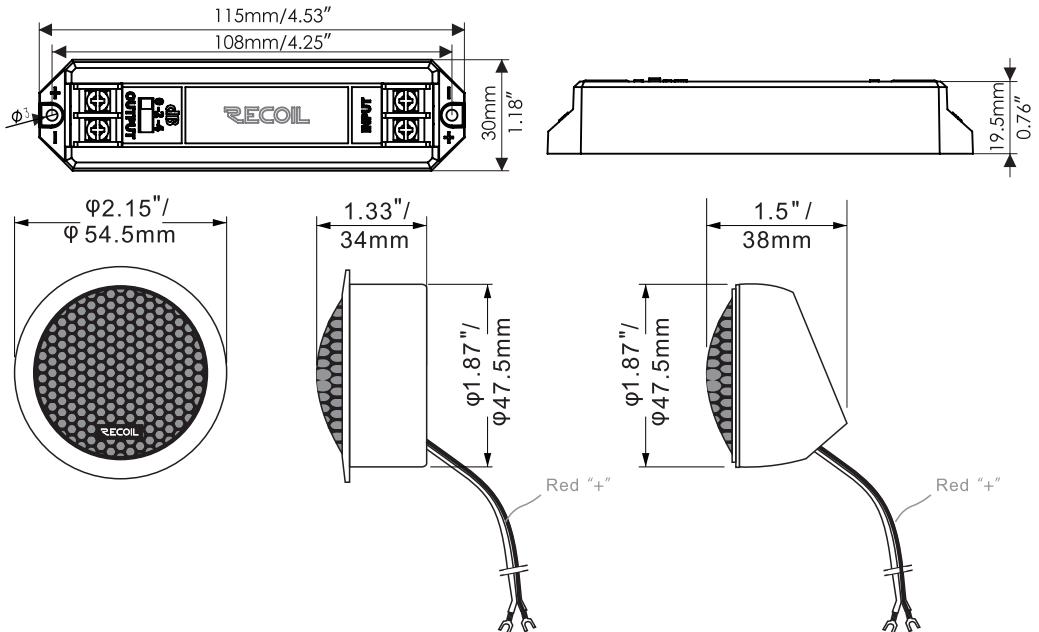


Specifications

RCX694

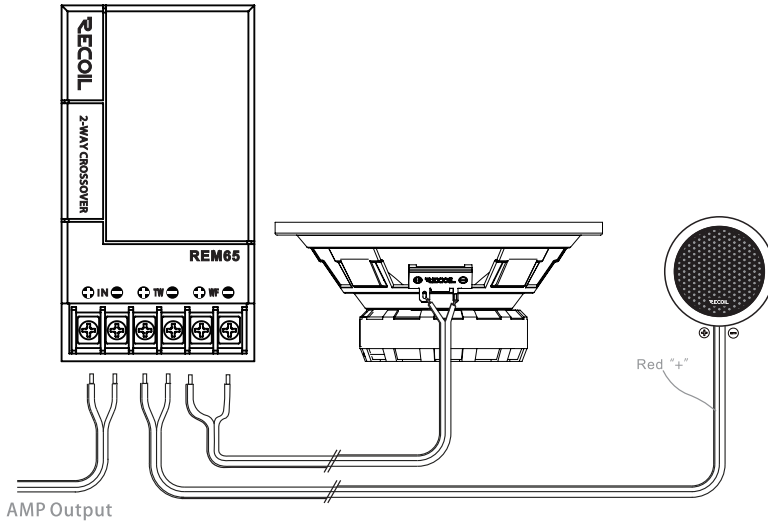


RET1



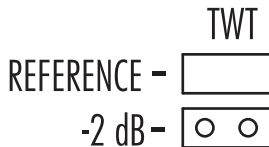
Installation

The illustration below shows how to connect one channel of the REM525/REM65 component system (RET1 is similar in connection, but just amplifier input and tweeter output only)



Crossover Programing

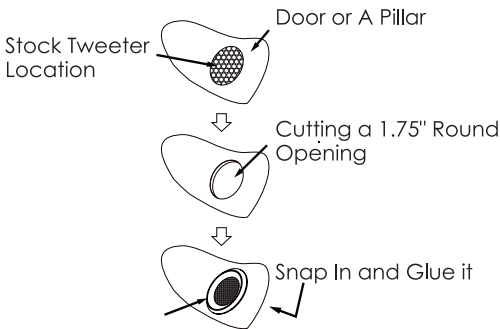
Each REM525/REM65 component set comes with a pair of programmable crossovers specifically designed to work with the midrange speaker and tweeter. Under the top cover there is a tweeter jumper with two possible configuration. -2 dB tweeter attenuation can be achieved by moving the "TWEETER" jumper to the -2dB position. The default "reference" position has no attenuation effect on the tweeter or is 0 dB.



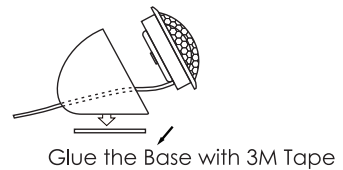
Tweeter Installation

When flush or surface mounting tweeters, make sure the desired location can accommodate the hole sizes and depth required. The tweeter can also be surface mounted atop the dash, door, or rear deck. Mount cup using the provided hardware, flush mount illustration shown below. The flush mount bezel requires cutting a 1.75" (47.5mm) round opening. Be sure there is AT LEAST 1 INCH (25.4mm) behind the panel so the tweeter has adequate clearance. Remember when using a hole saw the thickness of the saw teeth will add to the cut diameter. Mount the surface cup of the desired angle with provided screws in the tweeter mounting kit. Route speaker wires through tweeter cup, connect the tweeter to wires, and snap the tweeter into the cup by aligning the notches in the tweeter cup with the notches in the tweeter base. Be careful not to push on the center of the tweeter grill.

Flush Mount



Surface Mount

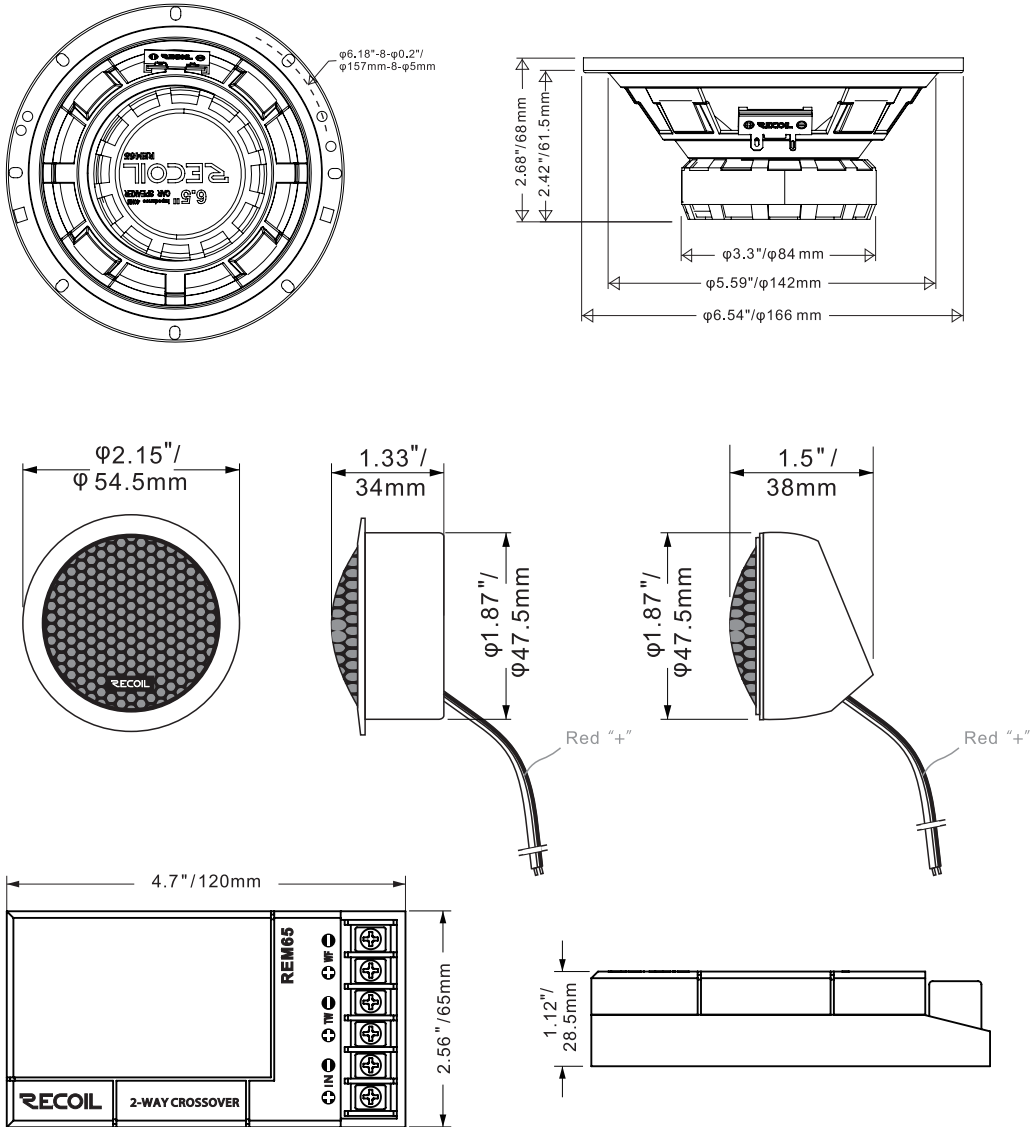


Crossover Installation

Install in a well ventilated area whenever possible. If you must install the passive crossovers in the doors due to the use of factory wing. Make sure as you "feed" wire into the door cavity, ensure that the crossover is installed behind the door panel instead of inside the door itself. This will offer the greatest capacity for avoiding any water damage caused by rain or moisture. Also avoid placing it near factory wiring looms to ensure no radiated noise problems. Connect the input side labeled "AMP" of each passive crossover to the amplifier's speaker output terminals. Be sure to observe correct polarity for positive and negative terminals. Next, connect the middle terminals labeled "MID" to the midrange speaker. Finally, connect the end terminals labeled "TWT" to the tweeter.

Specifications

RCX65/REM65



RECOIL

www.RecoilAudio.com

© 2021, all rights reserved. Recoil and its ® logo are registered trademarks of Ningbo AVS Industrial Company, Limited. All other trademarks are property of their respective owners. AVS Industrial assumes no responsibility or liability for damages incurred with the improper use of this product.