



RECOIL[®]

PW65D2/PW65D4

PW8D2/PW8D4

Subwoofer Speaker System 6.5/8-inch

User Manual

BEFORE YOU START - CONGRATULATIONS!

Congratulations on your purchase of our product! We hope that RECOIL subwoofers will delight you with impressive performance. In the production of PW subwoofers, high-quality components and ultramodern materials are used. This manual contains the basic instructions required for the correct installation and use of the system. Before installing the components, please read all instructions in this manual carefully. Failure to follow instructions can result in unintentional damage or product damage.

TO install PW series subwoofers, it is recommended to contact a professional car audio installation service. Correct acoustics setting allows you to achieve excellent sound and extend the service life. If there is any question, please contact support@recoilaudio.com

PRECAUTIONS

ATTENTION!

Prolonged exposure to sound pressure 100 dB and higher can cause hearing loss. Use common sense and practice safe sound. Remember that prolonged exposure to excessively high sound levels can damage your hearing. Driving safety comes first.

The manufacturer is not responsible for hearing loss, body damage or property damage due to misuse of this product.

Proceed with the installation only if you are a qualified car audio installer, otherwise contact a professional installation service.

- Always wear safety glasses when using tools.
- Before proceeding with the installation, turn off the car head unit and other electronic devices.
- Disconnect the negative (-) terminal from the car battery before starting the installation.
- Store the loudspeaker in its packaging if you have not proceeded to install it, and always place the loudspeaker with the cone facing up. Never use force when installing speakers.
- Determine the location of the fuel lines, brake pipes, oil lines, and vehicle electrical wiring before proceeding with the installation.

- Check that the installation site has sufficient air exchange on both sides of the speakers before drilling holes.
- Check that nothing interferes with the normal operation of the cone, otherwise the cone will be damaged.
- Use a utility knife to cut off excess pieces of fabric near the hole where the speaker will be installed before starting drilling.
- Use a grommet for the speaker wires (not included) when pulling through sheet metal, otherwise the wire may be damaged by the metal edges of the hole.

BILL OF MATERIAL

Subwoofer - 1 pc

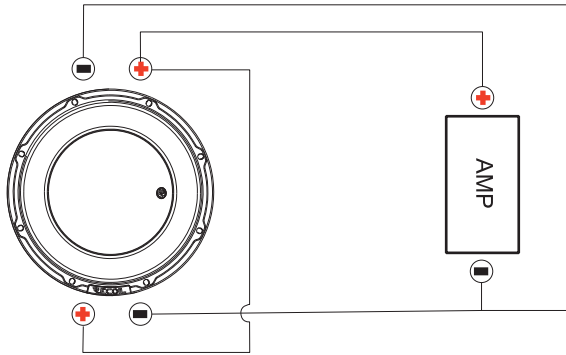
Instruction - 1 pc

Mounting Screw Pack - 4 Pairs

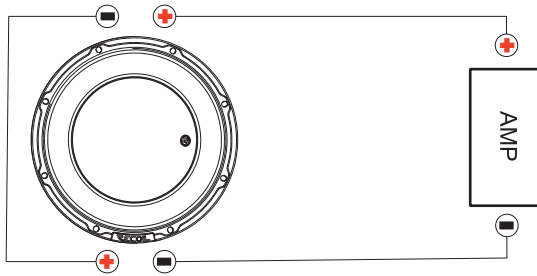
EXAMPLES OF CONNECTING SPEAKERS

Your subwoofer speakers have a dual voice coil and $2/4\Omega$ impedance. You need to know the maximum power of your amplifier to optimize your sound. You can vary the impedance parameter by connecting the woofer speaker acoustics: in series, in parallel or mixed. Please select a suitable woofer speaker connection scheme depending on the number of speakers to be connected through the speaker system and the stability of the amplifier impedance. The most important thing when connecting speakers is to make the connection so that none of the speakers are overloaded. Overload threatens to damage the speaker. It is important to understand that the speaker can be powered either less or equal to the rated power for which it is designed. Otherwise, any speaker will be damaged due to overload. Before connecting the speakers, you need to determine their nominal power (W), the active resistance of the voice coil (Ohm), which are indicated on the magnet or in the technical specifications in the attached instructions.

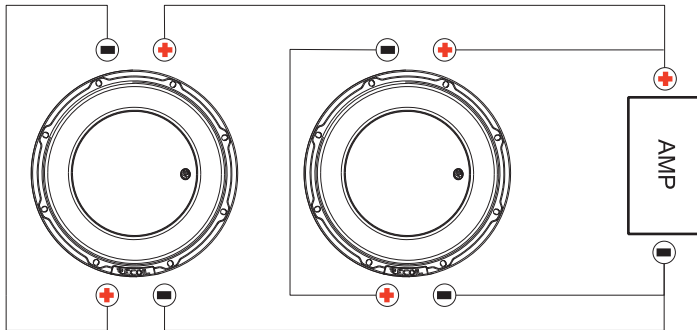
Parallel Wiring



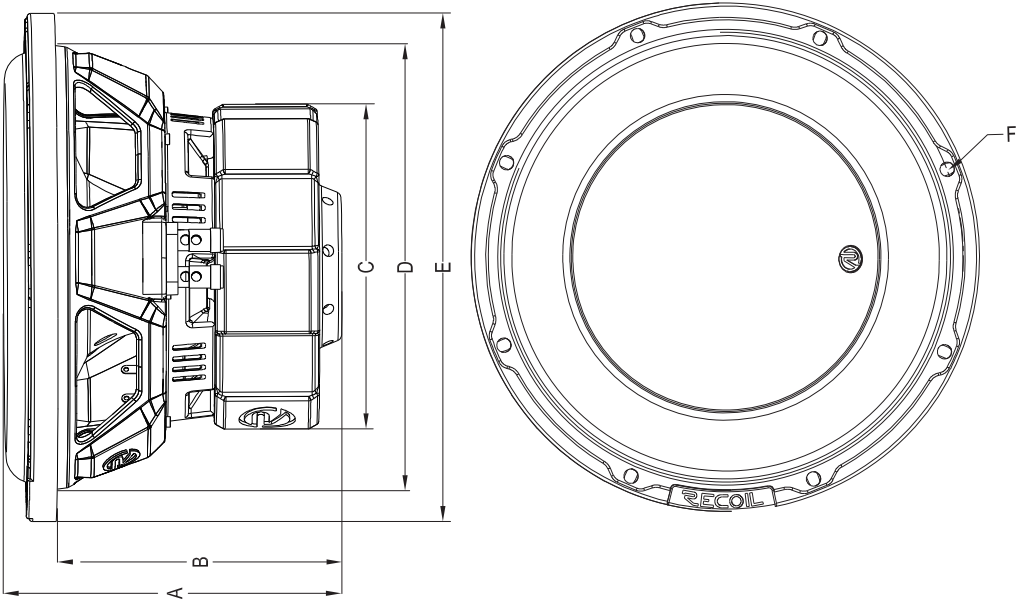
Serial Wiring



Parallel/Serial Mixed Wiring



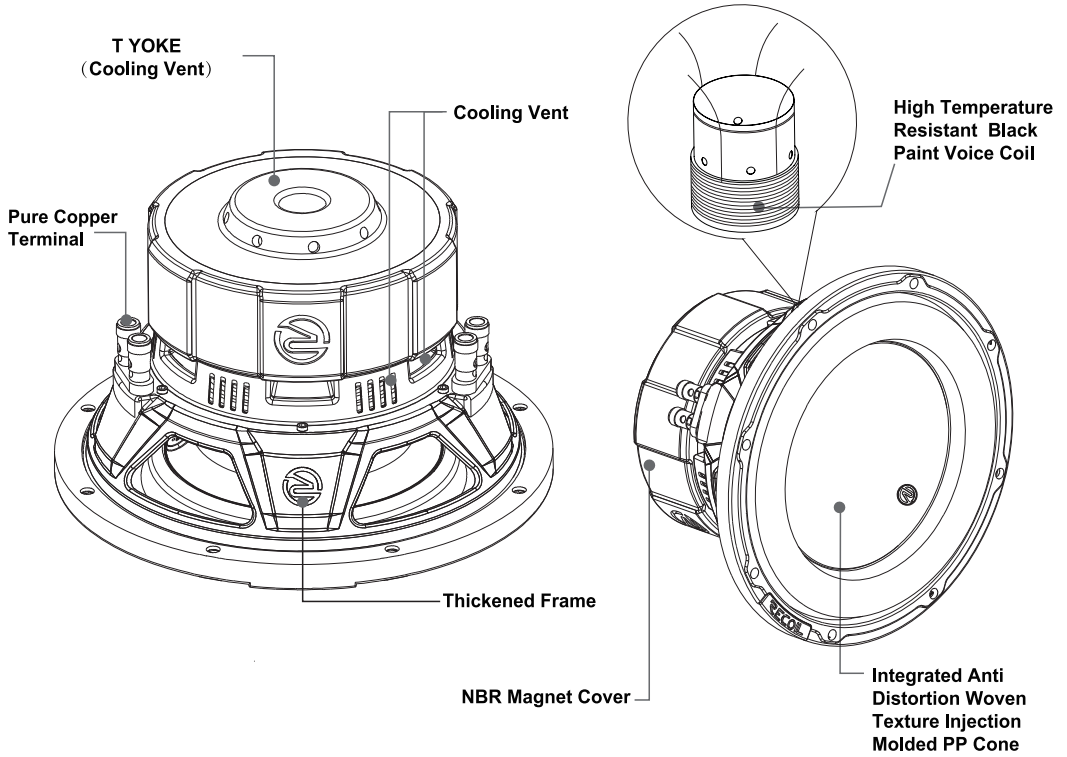
Speaker DCR	PW65D2	PW65D4	PW8D2	PW8D4
Speaker (1 PC)	2+2	4+4	2+2	4+4
Parallel Connection (2 PCS)	0.5/2	1/4	0.5/2	1/4
series connection (2 PCS)	2/8	4/16	2/8	4/16
Connection	Measurements in Ohm (Ω)			



PW series subwoofer size table

Code	A	B	C	D	E	F
PW65	125	107	130	149	172	160
PW8	126	105	137.5	184	215	202

Unit mm

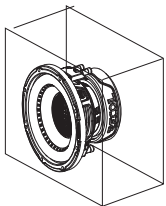


Subwoofer enclosures? Why?

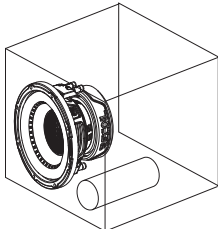
This is a very complicated and overly discussed topic. For over 80 years manufacturers and hobbyists have discussed, debated the virtues of having enclosures, vented (ported) versus sealed versus bandpass versus transmission lines.

TYPES OF ENCLOSURES

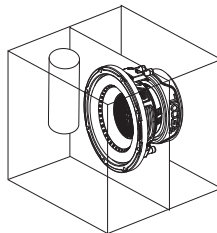
SEALED



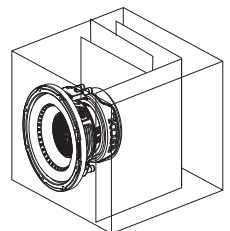
VENTED



BANDPASS



TRANSMISSION LINE

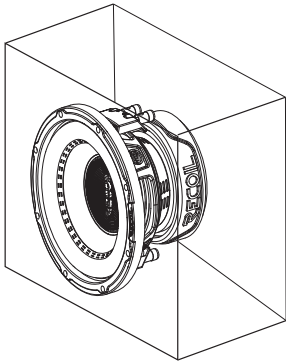


It is beyond the scope of this tech tip to discuss all the virtues (pros and cons) of each. We will keep the discussion to sealed versus vented as these are the 2 most commonly used enclosures for car audio applications.

Remember there are 2 types of energy in car audio. Electrical, which ISN'T free, and acoustical – which is FREE. Typically no one complains to their retailer/installer that they got TOO MUCH BASS! Everyone complains about not getting enough!!! So lets FIX that! Design and build better subwoofer enclosures.

SEALED

PROS & CONS?



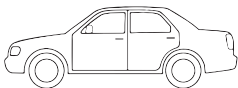
SEALED: Advantages

1. Simple to build, no real thinking involved.
Hard to screw up
2. Best phase and time response.

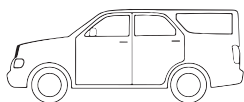
SEALED: Disadvantages

1. Lose typically 3 - 6dB of output versus vented
2. You'll need 6dB more power to get to the same point in output as a vented enclosure. Or like going from a 500 watt amplifier to a 2,000 watt amplifier. And the subsequent additional current draw. 500 watts is about 58 amperes, versus 2,000 watts which is 233 amperes (full power current draw)

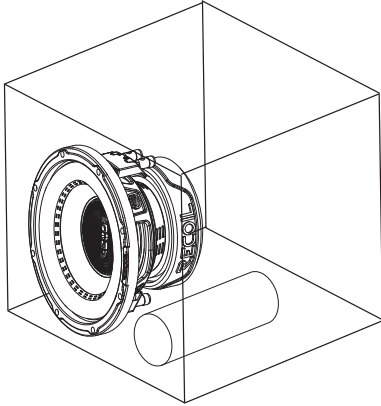
TYPICAL RECOMMENDED TUNING FREQUENCIES



For 4 door sedans 34-38 Hz



For longer vehicles (SUV's ,Vans, etc) typically 30-36Hz

VENTED**PROS& CONS?****VENTED: Advantages**

1. Gain 3-6dB of output over sealed. Or roughly the equivalent of having a 500 watt amp "act" like its 2,000 watts. Enclosure is giving you FREE energy
2. Better transient response.
3. Less current draw because you can utilize a smaller amplifier.

VENTED: Disadvantages

1. Much harder to design and build. Really need a modeling program to do that. We recommend WinISDPro. Which is FREE go to this URL: <http://www.linearteam.org/>
2. Typically about double the size of a sealed enclosure. But still relatively small in the scheme of things.
3. If you design the box incorrectly (in other words mistune it) for example tune below F_s of driver {highly discouraged} it can damage the woofer

PRE-FAB? OR ..NOT TO PRE-FAB???

These can be "OK". BUT...the secret is don't get one that is tuned TOO high. Many of these prefab enclosures are tuned to 40 Hz. For most "mature adults, this tends to be too high, Typically no one complains to their retailer/installer that they got TOO MUCH BASS! Everyone ,complains about not getting enough!!! So lets FIX that!

- Design and build better subwoofer enclosures-

There are all kinds of ways to design subwoofer enclosures. Nomograms, charts, on-line design software, etc. But the BEST most consistent PC software is available...and better yet....its FREE!

And it has been available for over 10 years.

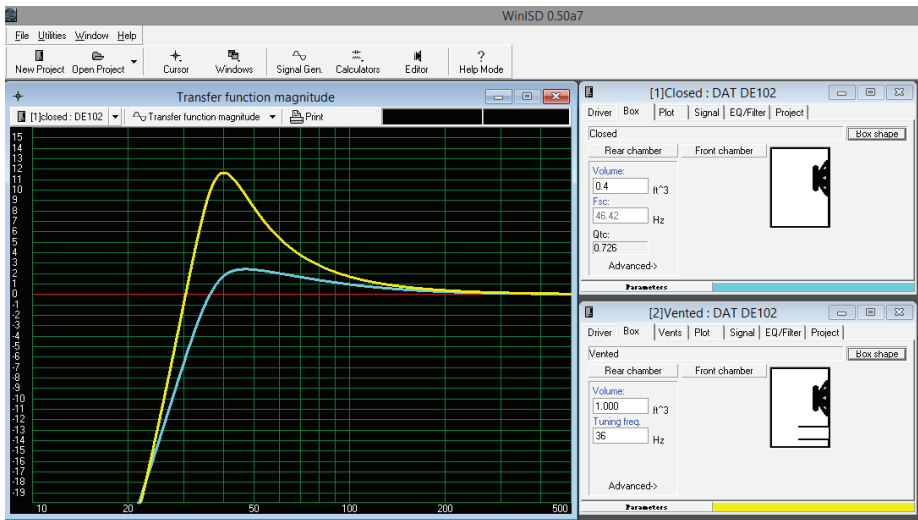
WinISD

<http://www.linearteam.org/>

(HINT: only put in 4 of the Theile/Small Parameters - F_s /Vas/Qes/Qms)

Tech Tips/Secret Stuff

1. Use 3/4 in or thicker MDF, or Baltic Ply (perfered)
2. When in doubt BRACE! Woofers can produce MORE than 10 pounds per square inch of pressure!
3. Always deaden the interior (if possible) with deadliner, Recoil Audio DynaMat, HushMat, etc. Make the enclosure as dead as possible.
4. Stuff enclosures about 1/2 to 2/3rds full of polyfill. BOTH for vented and sealed!
5. IF there is a choice between vented OR sealed. For a normal human being...go VENTED!!!!
Sealed? You need 4 times the energy (power) to get to the same place a vented can get you.
And some of the most expensive home speaker systems in the world...use vented enclosures!!



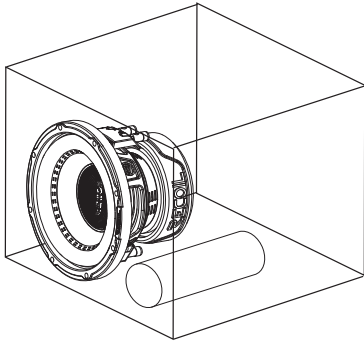
**IN THIS "SCENARIO" A 0.4 SEALED VS 1.0 CUBIC FT VENTED ENCLOSURE
VENTED IS +9 dB more output for every watt put into it!!**

The enclosures specified below are offered as suggestions only. Assistance from an authorized Recoils Audio retailer is recommended for designing the correct enclosure for YOUR system. All volumes are shown as gross internal volumes, driver and vent displacement have been accounted for.

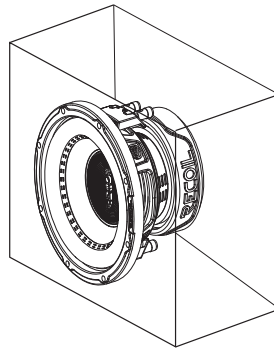
NOTE:

The use of a 30Hz sub-sonic filter is recommended on most vented enclosures

Vented



Sealed



	Vented		Sealed	
	PW65	PW8	PW65	PW8
L (mm/in.)	336/13.22	380/15	286/11.26	310/12.2
W (mm/in.)	236/9.29	230/9	180/7.09	180/7.1
H (mm/in.)	236/9.29	260/10.2	256/10.07	250/9.8
Port/s Dia (mm/in.)	70/2.75	75/2.95	N/A	N/A
Port/s Length (mm/in.)	460	460	N/A	N/A
MDF Thickness (mm/in.)	15/0.59	15/0.59	18/0.7	18/0.7
MAX POWER (W)	700	800	700	600
Vb (L/FT3)	12/0.42	20.5/0.72	8.5/0.3	9/0.32

Parameters

Test items	PW65D2	PW65D4	PW8D2	PW8D4	UNIT
Nominal Impedance	2+2	4+4	2+2	4+4	ohms
RMS Power Handling	350	350	400	400	Watts
MAX Power Handling	700	700	800	800	Watts
Frequency Response	42	42	32-600	32-600	Hz
Voice Coil Diameter	2/50.8	2/50.8	2/50.8	2/50.8	in/mm
Winding Material	ASV	ASV	ASV	ASV	N/A
Diaphragm Material	IMPP	IMPP	IMPP	IMPP	N/A
Frame Material	Steel	Steel	Steel	Steel	N/A
Magnet Material	Ferrite	Ferrite	Ferrite	Ferrite	N/A
Magnet Weight	1276/45	1276/45	1352/50	1352/50	g/Ounce
Xmax	0.35/8.8	0.35/8.8	0.35/8.8	0.35/8.8	in/mm
Small signal parameters (parallel connection)					
Revc	1	1.6	1	1.6	Ohm
Spl	79	79.6	83.6	82.6	dB
F0	45	47.2	37.7	39.7	Hz
Qts	0.71	0.82	0.4	0.58	N/A
Qes	0.79	0.89	0.44	0.65	N/A
Qms	6.77	7.9	4.35	5.6	N/A
Rms	3.4	2.3	4.5	3.3	kg/s
Vas	4.5	4.7	12.3	12.4	L
n0	0.05	0.07	0.14	0.11	%
CP	4365.4	2987.2	4031.5	3223.9	µF
Res	28.6	15.5	44.1	28.2	Ohm
Cms	0.16	0.15	0.22	0.22	mm/N
BL	5.4	6.3	6.6	6.7	N/A
Le	0.46	0.58	0.51	0.66	mH
Mms	80.4	71.9	82	73.5g	g
Sd	143.1	143.1	201	201.1	cm2
Dimensions					
Overall Depth	4.92/125	4.92/125	4.96/126	4.96/126	In/mm
Mounting Depth	4.21/107	4.21/107	4.13/105	4.13/105	In/mm
Overall Width	6.77/172	6.77/172	8.47/215	8.47/215	In/mm
Cutout Diameter	5.87/149	5.87/149	7.24/184	7.24/184	In/mm

User Manual



WWW.RECOILAUDIO.COM

COPYWRITE© 2023 RECOIL. ALL RIGHTS RESERVED. RECOIL, AVS INDUSTRIAL CO. LTD AND DOMESTIC INVESTMENT GROUP, LLC ASSUME NO RESPONSIBILITY OR LIABILITY FOR FINES OR DAMAGES INCURRED AS A RESULT OF IMPROPER USE OF THIS PRODUCT.