



RECOIL[®]

**R3B-P & R3C-P
R3B-Q & R3C-Q**

Motorcycle/UTV Amplified Speaker System

User Manual

MOTORCYCLE/UTV AMPLIFIED SPEAKER SYSTEM

R3B-P & R3C-P BILL OF MATERIAL

High-Performance Speakers	2 PCS
Amplifier	1 PC
Wireless Remote Control	1 PC
Speaker Pod Mounting Clamps	2 PCS
Clamp Rubber Mounting Shims	4 PCS
Speaker Pod Surface/Post Brackets	2 PCS
Hex Tool	1 PC
Amplifier Mounting Screws	2 PCS
Amplifier Mounting Velcro	2 PCS
Relay & Harness	1 PC
Amplifier Wiring Kit	1 SET
Red & Black Ring Terminals	4 PCS
Butt Connectors	4 PCS

R3B-Q & R3C-Q BILL OF MATERIAL

High-Performance Speakers	4 PCS
Amplifier	1 PC
Wireless Remote Control	1 PC
Speaker Pod Mounting Clamps	4 PCS
Clamp Rubber Mounting Shims	8 PCS
Speaker Pod Surface/Post Brackets	4 PCS
Hex Tool	1 PC
Amplifier Mounting Screws	2 PCS
Amplifier Mounting Velcro	2 PCS
Relay & Harness	1 PC
Amplifier Wiring Kit	1 SET
Red & Black Ring Terminals	4 PCS
Butt Connectors	4 PCS

FEATURES

- 4-Channel Class-D Weatherproof Amplifier
- Built-in Bluetooth Audio Streaming
- Weatherproof Speaker System
- Waterproof Wireless Remote Control
- Auxiliary Input
- High-Impact & UV Resistant Speaker Pods
- Speaker Bar Clamp And Surface/Post Bracket Mounting

MOTORCYCLE/UTV AMPLIFIED SPEAKER SYSTEM

SPECIFICATIONS

AMPLIFIER SPECIFICATION

Peak Power@4Ohm	90 watts x 4
RMS Power@4Ohm	45 watts x4
Operation Voltage	8-14.5V
THD	<0.1%
Signal/Noise Ratio	88 dB
Input Sensitivity	1.5-2V
Protection	Thermal, Voltage, Short
Fuse Rating	10A
Amplifier Dimensions	3.93"x3.26"x1.77" (100mm x 83mm x 45mm)

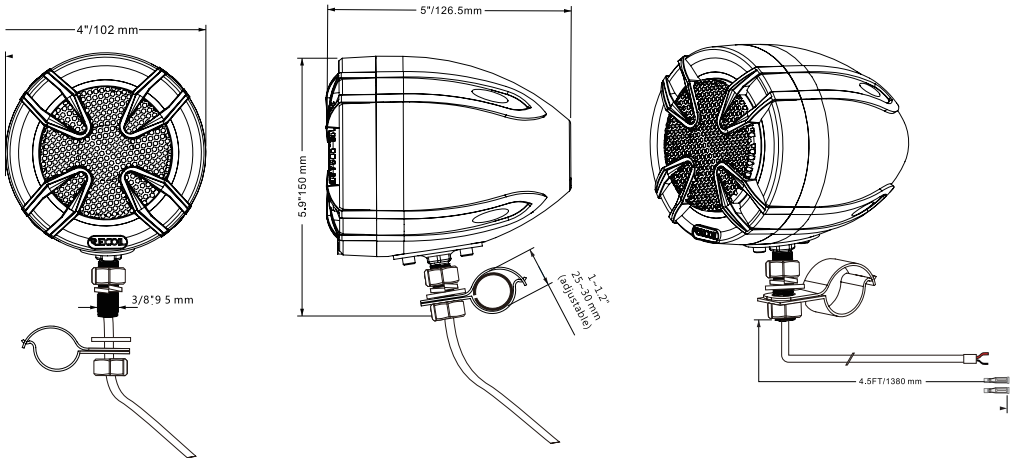
SPEAKER SPECIFICATION

RMS/PEAK Power:	60W/120W (Pair)
Peaker Power	120 Watts (Pair)
RMS Power	60 Watts (Pair)
Frequency Response	115-20k Hz
Sensitivity	88 Db
Speaker Wire Length	4.6' (1.4m)
Clamp Bar Size	0.75" - 1.25" (19mm - 31.75mm)

WIRELESS REMOTE SPECIFICATIONS

Frequency	2.4G
Waterproof Rating	IPX7
Battery Life Time	2 Years
Working Distance	20 meters

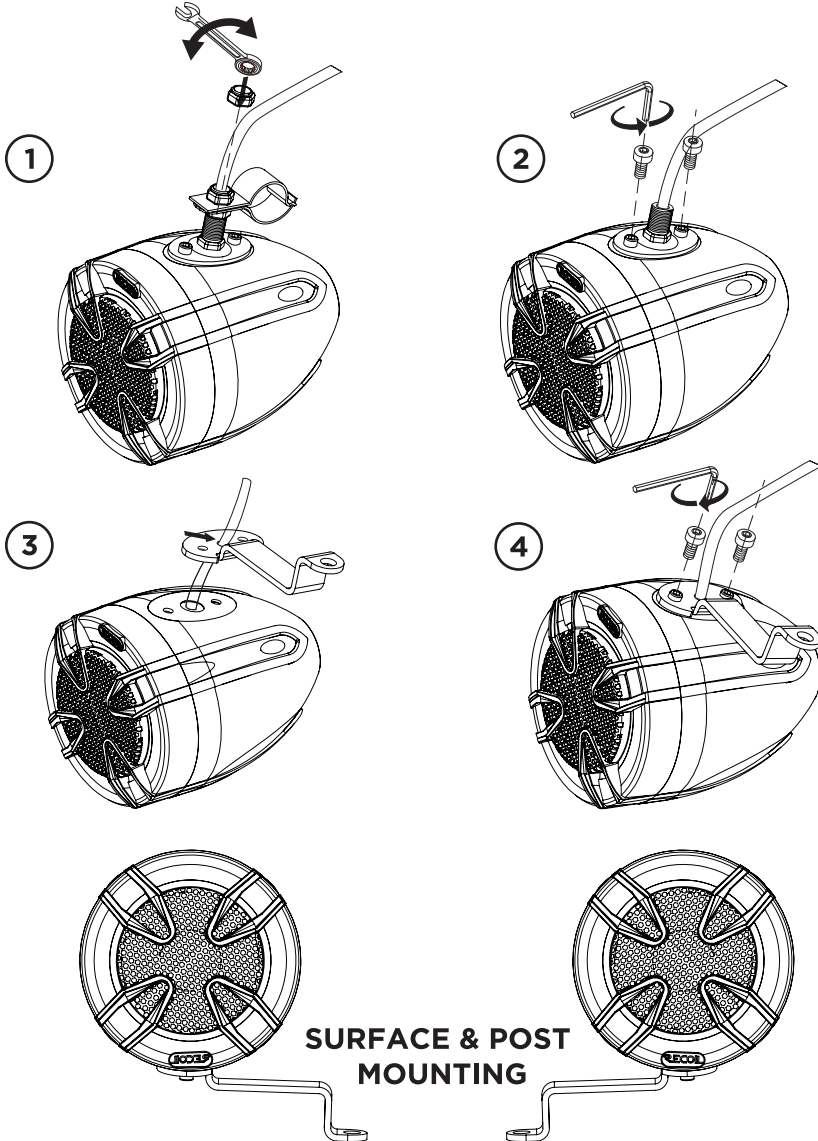
SPEAKER POD DIMENSIONS



SPEAKER INSTALLATION

Recoil Motorcycle & UTV amplified speaker kit include 2 mounting options. The bar mount brackets allow you to mount onto bars up to 1.25" in diameter. If you elect to surface/post mount the speakers, you can use the included post mount bracket for a secure fit. Make sure all connections are tight and secure before operating your machine.

Recoil R3 speaker pods are assembled with bar mount brackets. If you want to change it to surface/post mounting, please follow the steps as below:



MOTORCYCLE/UTV AMPLIFIED SPEAKER SYSTEM

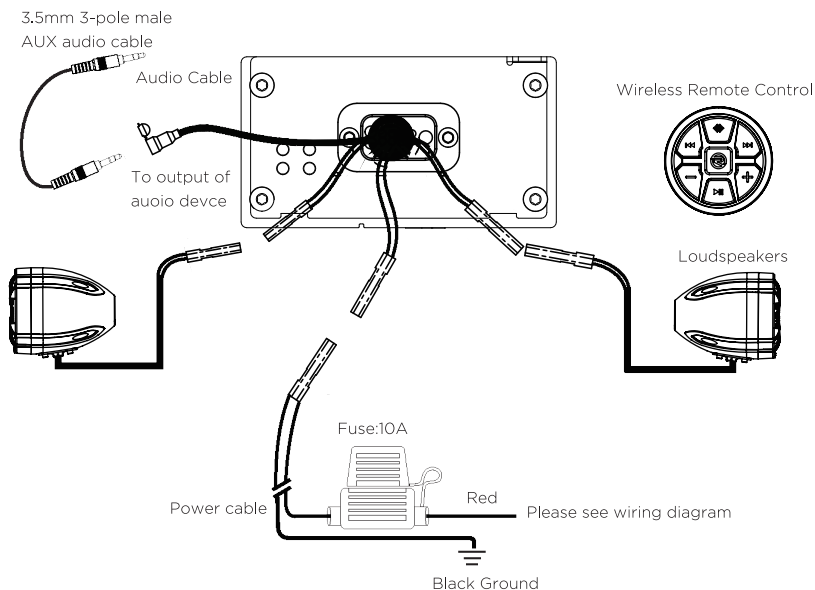
WIRING

1. Be sure to run the wiring securely and far away from any moving components.
2. Connect the power cable to the power source. You will need to connect the 12V red wire to a (fused 10A) switched power source.
3. Use the 3.5mm stereo jack to connect to your media source (MP3 player, etc.).
4. Use your mobile device or Recoil wireless remote controller to control your music track, volume, play & pause.
5. The components and wiring should not be installed around any moving parts.
6. Speakers should not be installed where they might inhibit safety features on your bike (i.e. lights, horns, brake levers, etc...).

BLUETOOTH PAIRING

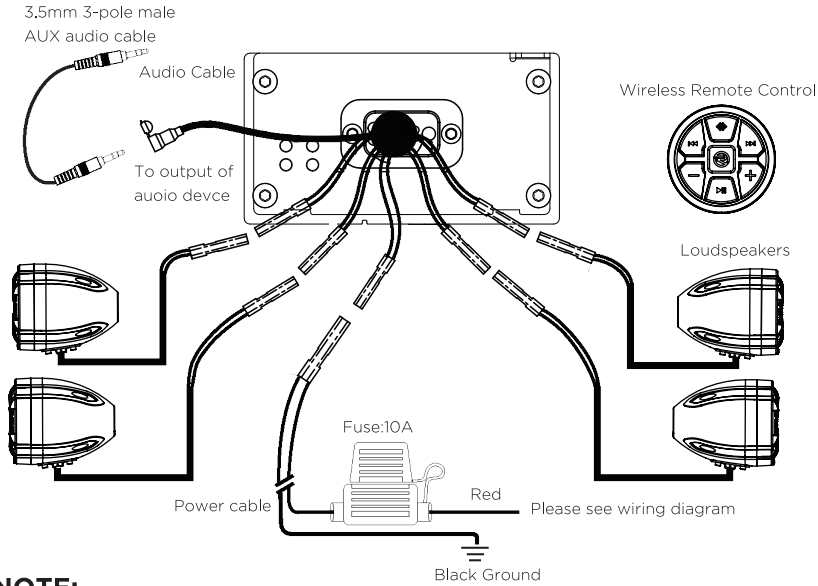
1. Ensure your streaming device has Bluetooth® enabled and the power is applied to the IC4A amplifier. (The blue LED on the IC4A will blink to indicate it is in pairing mode.)
2. Within your streaming device's Bluetooth® setup menu, select " IC4A" from the list of pairable devices.
3. When successfully connected, the Blue LED on the IC4A will stop blinking and remain lit.

R3B-P & R3C-P CONNECTIONS



MOTORCYCLE/UTV AMPLIFIED SPEAKER SYSTEM

R3B-Q & R3C-Q CONNECTIONS



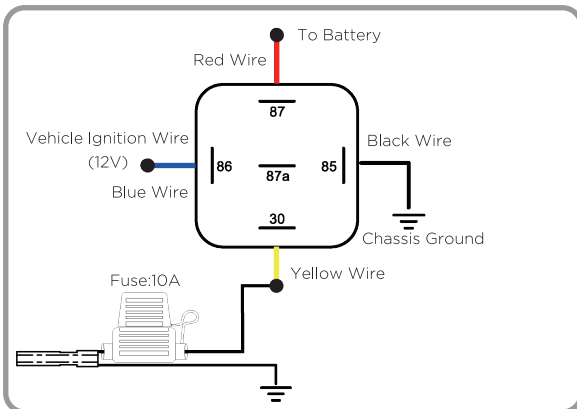
NOTE:

1. Recoil IC4A amplifier features auxiliary input, which can be connected with any mobile devices with 3.5mm output.
2. Use standard male to male auxiliary cable to connect IC4A amplifier with mobile devices.
3. Tap the Pairing button on wireless remote control to switch the signal between Bluetooth and Auxiliary.

POWER SUPPLY CONNECTION

Option A

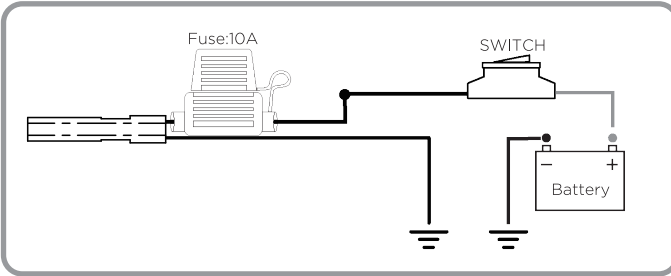
Connect to battery through a 12 VDC SPDT relay (Single Pole Double Throw). Please note this relay and harness is included.



MOTORCYCLE/UTV AMPLIFIED SPEAKER SYSTEM

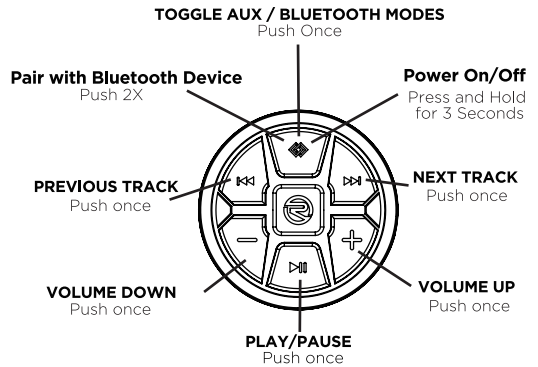
Option B

Connect to battery through a waterproof switch (250V AC/6A). Please note this switch is not included, it is sold separately.



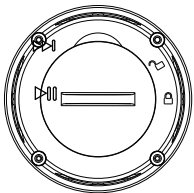
WIRELESS REMOTE CONTROL

1. Double click pairing “” button to pair wireless remote with IC4A amplifier.
2. Press “+” & “-” for level up & down
3. Press “” & “” for track forward & backward
4. Press “” to play and pause music
5. Press once “” to switch between Bluetooth and Auxiliary modes.
6. Operation LED indicator is Blue.
7. Press and hold “” to power on/off speaker system.

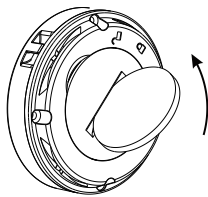


BATTERY REPLACEMENT

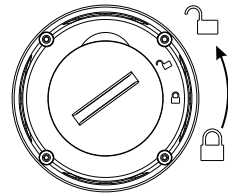
The cell battery for wireless remote control is designed to last for two years. If it runs out of power, remove the cover at the back. Use a sharp pin to pop it out, and put in a standard CR2032 battery.



①When the groove is aligned to , it is locked

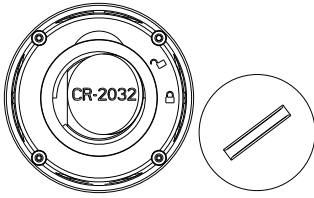


②Using a coin or something like a circle, Place in the groove of the battery compartment cover



③Use the tool to rotate the direction of the groove from to

MOTORCYCLE/UTV AMPLIFIED SPEAKER SYSTEM



④ This is reserved from the top of the product in the groove. Open the battery compartment cover to replace the battery.

STEERING WHEEL/BAR MOUNT

Snap the unit into the plastic adaptor. Using the included rubber band for steering wheel & bar mounting, hold the rubber against the steering wheel. Wrap it around, then hook it up.

