



RECOIL[®]

R65

POWERSPORTS CAN SPEAKERS

User Manual

RECOIL POWERSPORT SPEAKERS

Thanks for purchasing Recoil Powersports Speakers for your system. Recoil has been bringing great designed and engineered audio products to life. We hope that the addition of these speakers to your audio system bring you a lot of enjoyment.

Recoil speakers are designed and engineered in the USA to reproduce great sound quality for extreme environments. We highly recommend that your new speakers be installed by an authorized Powersports dealer.

If you decide to install the speakers by yourself, please thoroughly read through this manual before getting started, so you make the process successful. This manual will familiarize you with the speakers; and how best to install them and guide you through the proper installation process and procedures.

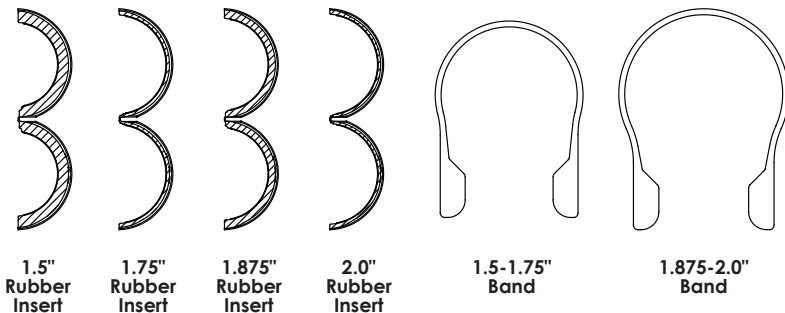
Please contact your authorized Powersports dealer if you have any questions regarding the instructions in this manual. If you require additional assistance contact support@recoilaudio.com

SUPPLIED HARDWARE/PARTS;

- 1 pair- R65 speakers
- 2 Sets - Mounting hardware
- 4 pairs - 1.5", 1.75", 1.875" & 2" rubber inserts
- 2 pairs - aluminum mounting bands

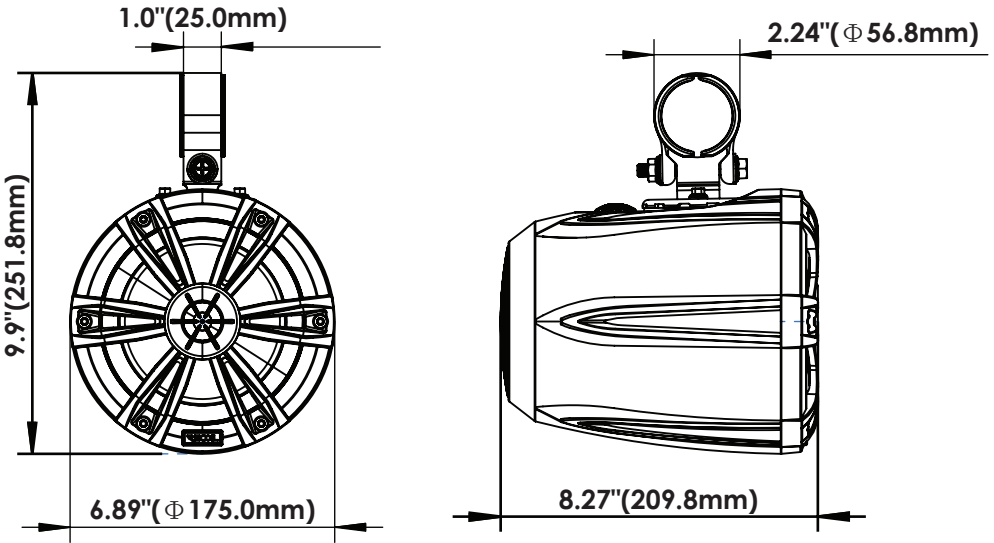
Roll Cage/Bar fitment:

The R65 comes with 4 pairs of rubber inserts and 2 pair of Aluminum mounting bands.



*** Before installing please measure your bars diameter**

DIMENSIONS



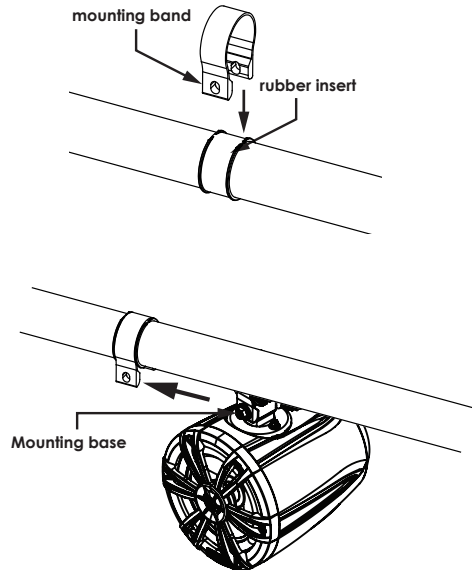
MOUNTING

Step 1: Remove can speakers from the packaging and ALL hardware

Step 2: Find a GOOD location that allows for easy wiring of the speakers (and LED lights) - PLUS that it does NOT impair your movement around the location.

Step 3: Using a philips head screwdriver, remove the screw that holds the mounting band to the tower speakers.

Step 4: Measure the roll cage bar and use the included rubber insert that fits YOUR roll cage bar. Place the rubber insert onto the bar and then clip the band over the rubber insert.



Step 5: Slide the can speaker into the mounting band and line up the mounting hole. Insert the 1/2"(13mm) bolt thru the mounting hole and tighten with a phillips screwdriver.

IMPORTANT NOTE:

Blue Loctite is recommended for threaded hardware .

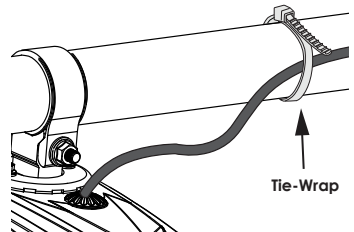
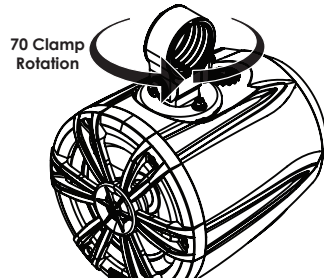
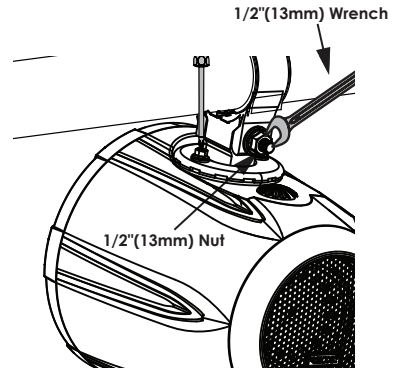
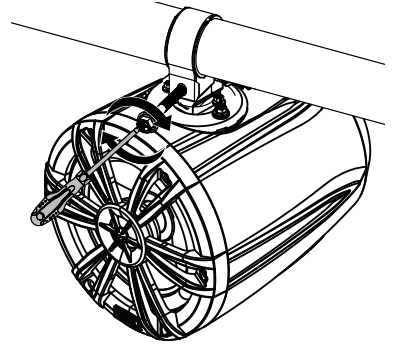
Step 6: Once the location is finalized, tighten the mounting screw with a phillips screwdriver.

Step 7: If need be, rotate the speakers for best dispersion, This is easily done by locating the 5/16"(8mm) nuts on the each side of mounting band. Once located release it using a wrench (or phillips screwdriver) so that you may rotate the speaker/enclosure to the desired angle. Once there ...lock the nut down.

IMPORTANT NOTE:

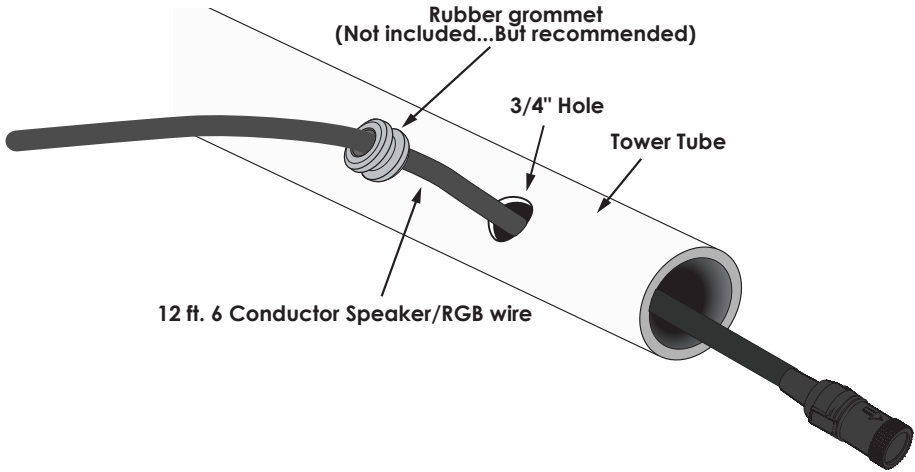
Rotation is limited to 70 Degrees.
DO NOT exceed that range of motion!!

Step 8: Tie-wrap cabling. A very simple solution is to NOT drill a hole in your roll cage bar and simple tie-wrap the speaker/LED wire to the roll bar.



CAN WIRE ROUTING

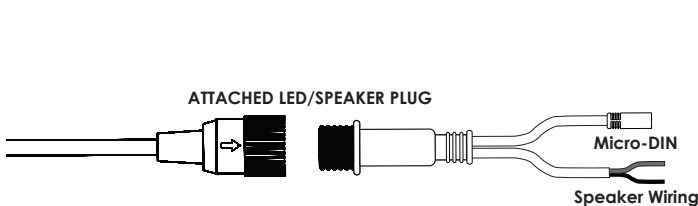
Some wake towers allow for the wiring to be ran though the tower. Locate the desired location of the speaker, drill a 3/4" hole and route the speaker wire with the attached connector down through the wake tower. Drill a hole at the bottom and then continue to the amplifier for termination. Use a grommet when running any wire thru a metal hole.



RGB / SPEAKER WIRE TERMINATION

Option 1:

R65 speakers are terminated with a waterproof DIN connector. The pigtail contains a (+) and (-) 18 AWG speaker wire and a female Micro DIN connector for termination of the RGB lighting. Terminate the speaker wires to the speaker wire output on the amplifier. You will need to purchase separately our RGBLED-4C controller with (4) male Micro DIN outputs that will control (4) speakers via the Micro DIN connector located on the pigtail. The RGBLED-4C is APP driven with the EZ RGB APP which is available for both IOS and Android.

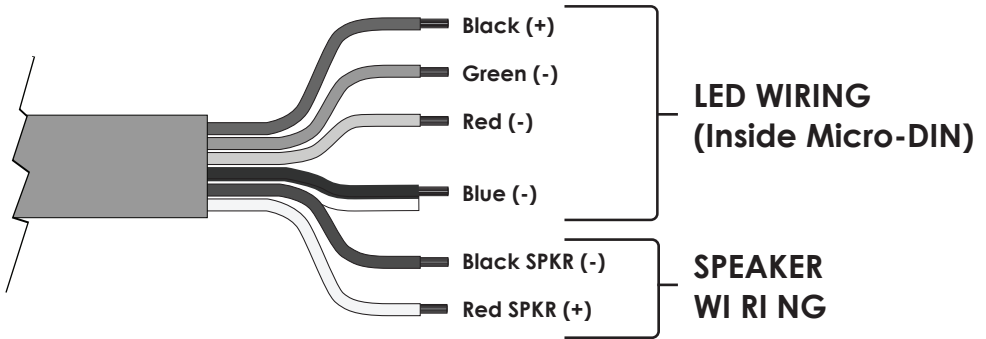


Google Play App Store

Option 2:

Terminate the speaker wire to the speaker wire output on the amplifier. Then remove the Micro DIN connector, strip and terminate the internal wiring as follows: DC 12V (+) to the black RGB wire and then pick one set of color combinations listed below.

NOTE: It is possible to "mix" colors WITHOUT using a RGB controller Follow the

LED/ SPEAKER WIRING CONFIGURATION**BASIC COLOR COMBINATIONS BELOW**

- 1.Green Color: Green Wire(Negative)+Black Wire(Positive)
- 2.Red Color: Red Wire(Negative)+Black Wire(Positive)
- 3.Blue Color: Blue Wire (Negative)+Black Wire(Positive)
- 4.Purple Color: Red+Blue Wire (Negative)+Black Wire(Positive)
- 5.Yellow Color: Red+Green Wire(Negative)+Black Wire(Positive)
- 6.Cyan Color: Blue+Green Wire(Negative)+Black Wire(Positive)
- 7.White Color: Blue+Green+Red Wire(Negative)+ Black Wire(Positive)

SPECIFICATIONS:

MODEL	TYPE	SPECIFICATIONS
R65	6.5" Can Speaker	
Passive Radiator:		4"(102mm)
Power Rating:		160WMAX/80WRMS
Sensitivity:		85 dB @ 1W/1M
MidBass:		6.5"(165mm) Water-Proof Speaker
Tweeter:		1"(25.4 mm) PEI Tweeter
Nominal Impedance:		4 ohm
Mounting Dimensions (enclosure):		
Length:		8.27"(209.8mm)
Width:		6.89"(175mm)
Height:		9.91"(251.8mm)

INSTALLATION CONSIDERATIONS:

1. Be sure to carefully read and understand the instructions before attempting to install these speakers.
2. For safety, disconnect the negative battery terminal from the battery prior to beginning the installation.
3. For easier assembly, we suggest you have all your tools handy: drill, Allen wrench set, crimps, soldering iron, wire strippers, heat -shrink, etc.
4. Use high quality, waterproof connectors for a reliable installation and to minimize signal or power loss.
5. Think before you drill! Be careful not to cut or drill into gas tanks, fuel lines, brake or hydraulic lines, vacuum lines or electrical wiring when working on any vehicle. If installing in a boat, take care not to cut or drill through the main hull.
6. If possible, do not run wires near fuel lines or power. Running the wires inside the hull area provides the best protection.
7. Avoid running wires over or through sharp edges. Use rubber or plastic gromets to protect any wires routed through metal — especially the tower.
8. Make sure the mounting clamps are tight before leaving the dock or cruising off-road.