

# RECOIL

## Component Speaker Kit

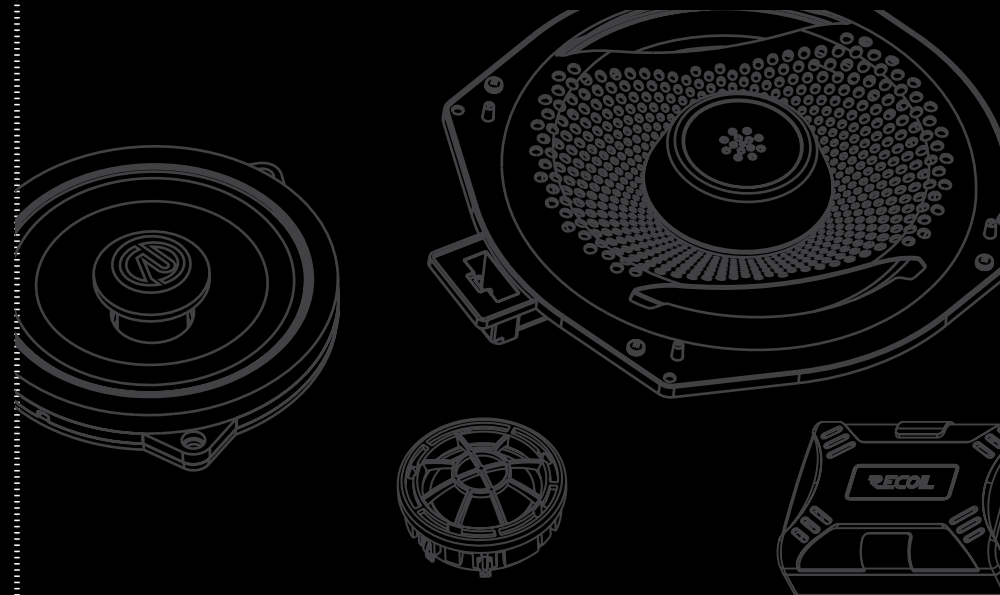
- 2 X RBMW-T4M/4.5M: 1.25" Tweeters
- 2 X RBMW-T4M/4.5M: 4"/4.5" Midrange
- 2 X RBMW-T4M/4.5M: Passive Crossovers
- 2 X RBMW-8W: 9" Subwoofers

## RBMW-T4M/T45M/8W BMW Speaker Kit




[WWW.RECOILAUDIO.COM](http://WWW.RECOILAUDIO.COM)

COPYWRITE © 2024 RECOIL ALL RIGHTS RESERVED. RECOIL, AVS INDUSTRIAL CO. LTD AND DOMESTIC INVESTMENT GROUP, LLC ASSUME NO RESPONSIBILITY OR LIABILITY FOR FINES OR DAMAGES INCURRED AS A RESULT OF IMPROPER USE OF THIS PRODUCT.



Dear  
 First of all, thank you for purchasing our products. This manual contains the basic instructions required for the correct installation and use of the system. Before installing the components, please read all instructions in this manual carefully. Failure to follow instructions can result in unintentional damage or product damage.

**Warm reminder:** Correct acoustics setting allows you to achieve excellent sound and extend the service life. If there is any question, it is recommended to contact a professional car audio installation service. You can also contact [support@recoilaudio.com](mailto:support@recoilaudio.com)



**WARNING:** To prevent damage to the equipment and any other possible injury, disconnect the battery from the power source before installation.

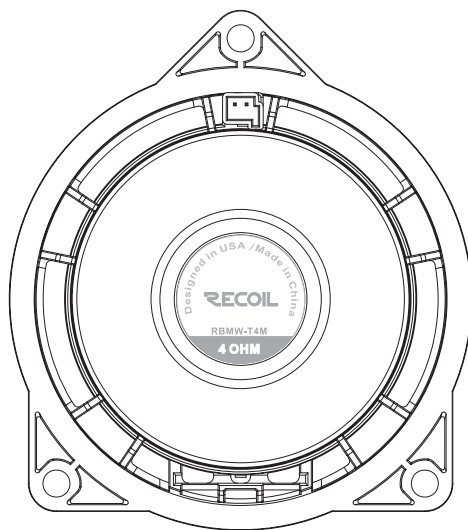
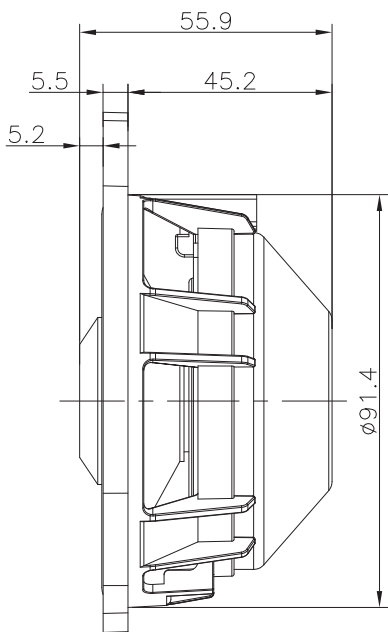
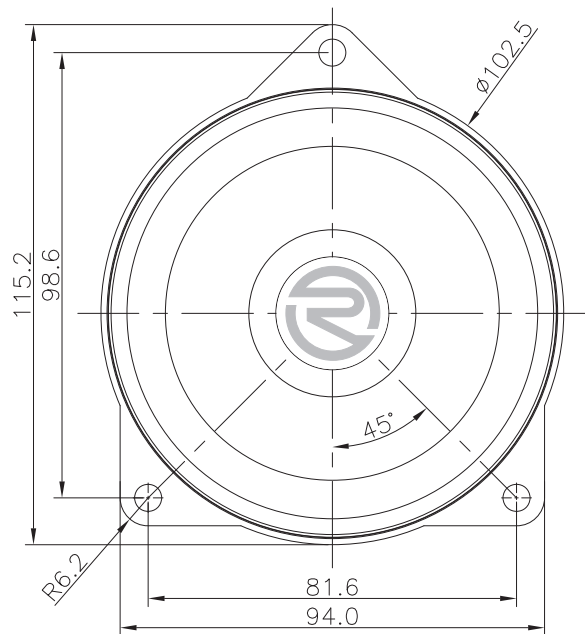
**RBMW System parameters**

Model	specification	Frequencyresponse	Sensitivity	impedance	power
RBMW-T4M	4"Midrangespeaker	100~20KHz	91dB/1M/2.83V	4ohm	25~50W
RBMW-T45M	4.5" Midrangespeaker	100~20KHz	91dB/1M/2.83V	4ohm	25~50W
RBMW-8W	9"Subwoofer	30~150Hz	92dB/1M/2.83V	2ohm	70~140W

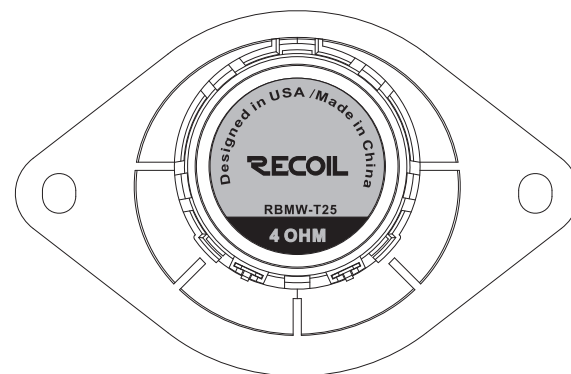
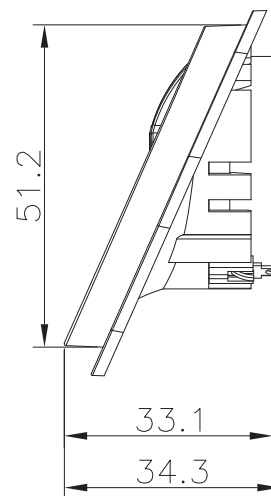
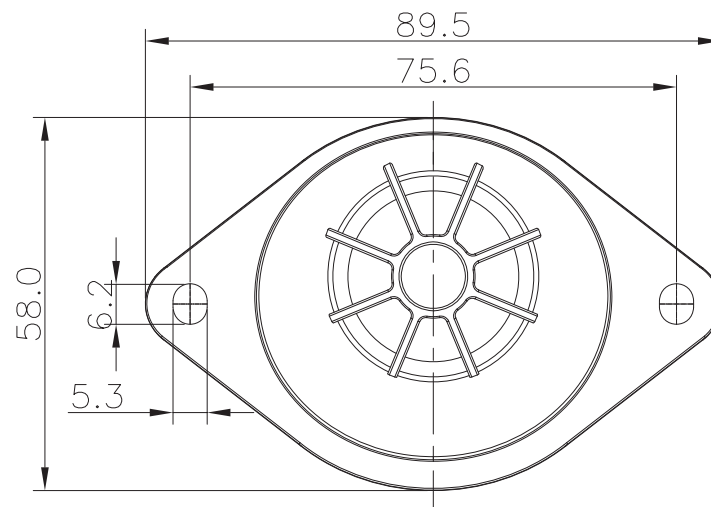
**Recoil BMW Audio System Model Configuration Table**

SN	BMW Models			Speaker Models					Special installation instructions
	Series	China	Overseas	Years	Front	Rear	Woofer	Midrange	
1	1 Series		√	2012 ~ 2018	RBMW-T45M	RBMW-T4M	RBMW-W8	RBMW-T4M	/
2	1 Series	√		2016 ~ 2023	RBMW-T45M	RBMW-T4M	RBMW-W8	RBMW-T4M	/
3	2 Series		√	2014 ~ 2023	RBMW-T45M	RBMW-T45M	RBMW-W8	RBMW-T4M	/
4	3 Series	√		2013 ~ 2024	RBMW-T45M	RBMW-T45M	RBMW-W8	RBMW-T4M	/
5	3GT		√	2013 ~ 2020	RBMW-T45M	RBMW-T45M	RBMW-W8	RBMW-T4M	/
6	4 Series		√	2014 ~ 2023	RBMW-T45M	RBMW-T45M	RBMW-W8	RBMW-T4M	/
7	5 Series	√		2010 ~ 2024	RBMW-T45M	RBMW-T4M	RBMW-W8	RBMW-T4M	/
8	7 Series		√	2009 ~ 2014	RBMW-T4M	RBMW-T45M	RBMW-W8	RBMW-T4M	When Tweeter is installed, the speaker housing needs to be removed
9	New 7 Series		√	2016 ~ 2023	RBMW-T45M	RBMW-T45M	RBMW-W8	RBMW-T4M	
10	X1		√	2012-2015	RBMW-T45M	RBMW-T45M	RBMW-W8	RBMW-T4M	
11	New X1	√		2016 ~ 2024	RBMW-T45M	RBMW-T45M	RBMW-W8	RBMW-T4M	/
12	X3/New X3		√	2011-2023	RBMW-T45M	RBMW-T45M	RBMW-W8	RBMW-T4M	
13	X4		√	2014 ~ 2022	RBMW-T45M	RBMW-T45M	RBMW-W8	RBMW-T4M	
14	X5	√		2013 ~ 2018	RBMW-T45M	RBMW-T45M	RBMW-W8	RBMW-T4M	When installing the front/rear midrange speakers, Need a dedicated adapter bracket (the bracket needs to be purchased separately)
15	X6		√	2015 ~ 2019	RBMW-T45M	RBMW-T45M	RBMW-W8	RBMW-T4M	
16	X5	√		2022 ~ 2023	RBMW-T45M	RBMW-T45M	RBMW-W8	RBMW-T4M	
17	X5		√	2019 ~ 2022	RBMW-T45M	RBMW-T45M	RBMW-W8	RBMW-T4M	
18	X6		√	2023 ~ 2023	RBMW-T45M	RBMW-T45M	RBMW-W8	RBMW-T4M	

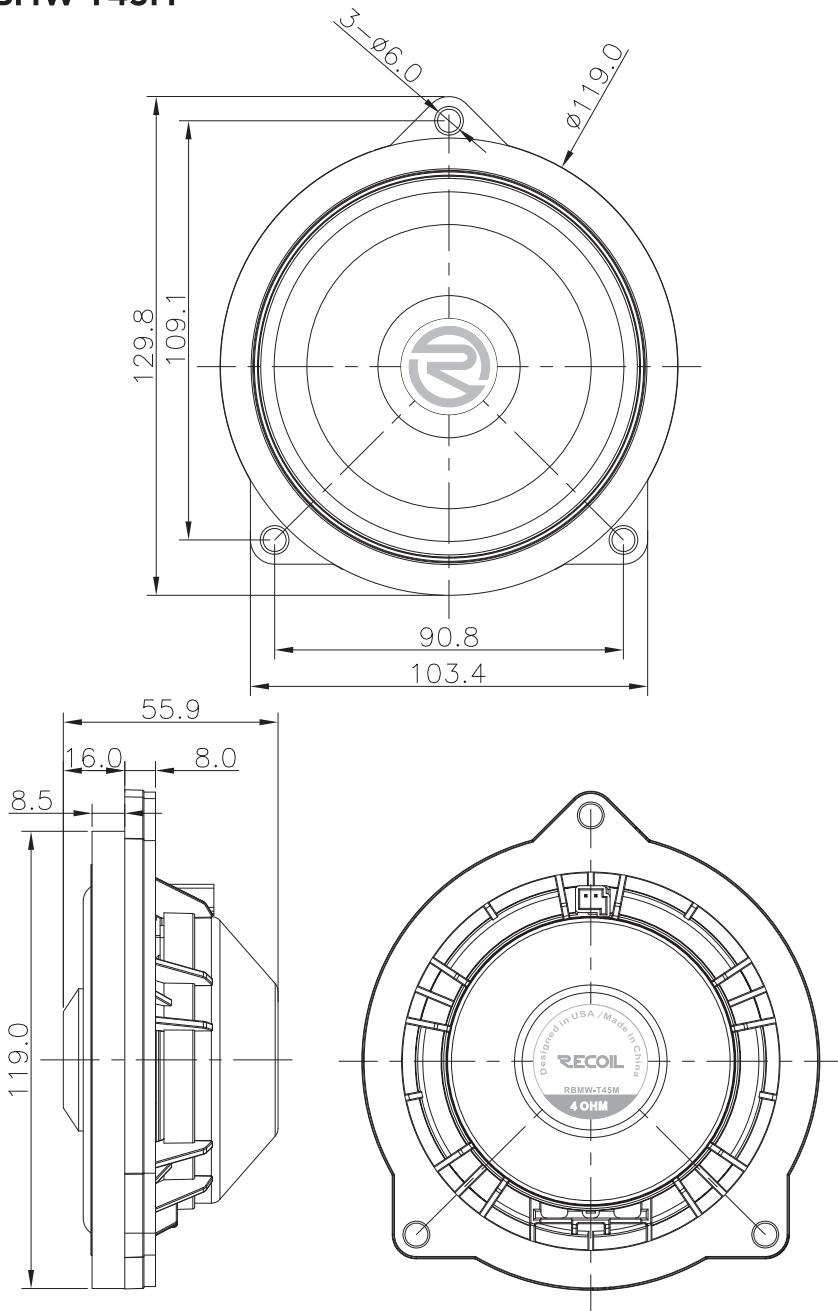
RBMW-T4M



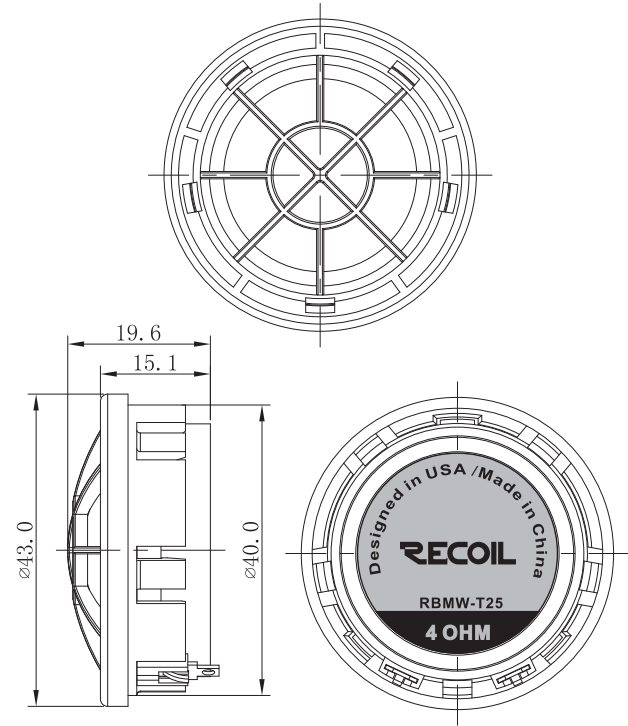
RBMW-T4M(RBMW-T25)



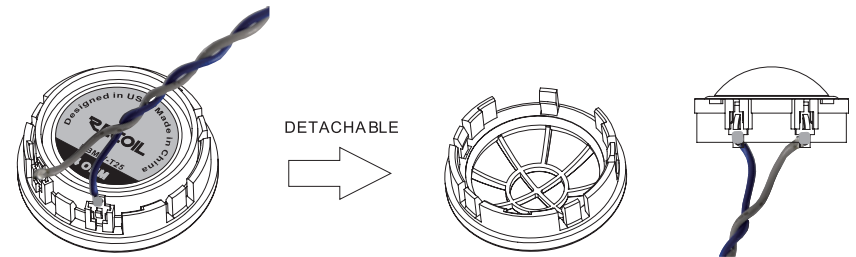
RBMW-T45M



RBMW-T45M(RBMW-T25)



DETACHABLE TWEETER



- Our speaker has a collapsible structure between the plastic housing and the speaker, and for some models, plastic housing needs to be removed before they can be installed (such as BMW 7 series).

Tips: when removing the shell, hold the edge of the shell with the left hand (please do not hold it with your fingers, otherwise the left thumb will easily be damaged by high-pitched vibration at the moment of separation). Use your right hand to pull on the wires that close to the speaker terminal could separate them.

RBMW-8W

CROSSOVER

