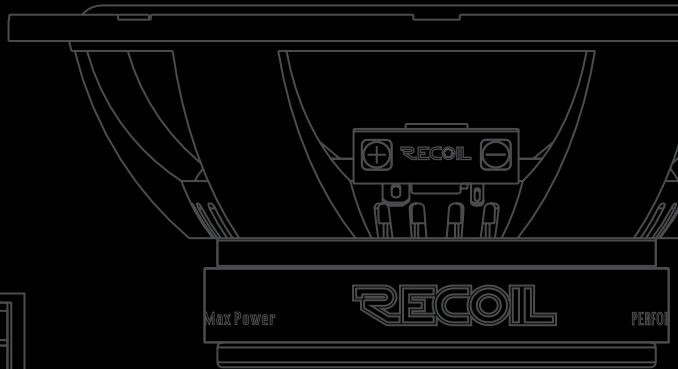
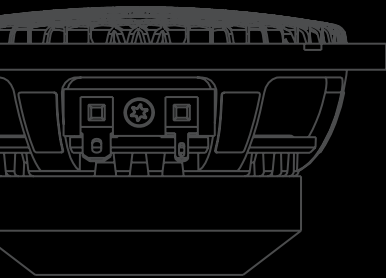


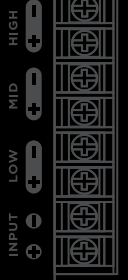
# RECOIL

RD65/RD365  
RX65/RX69

## ECHO PRO SERIES SPEAKER SYSTEM



RECOIL  
RD365 2-WAY CROSSEVER



This manual contains the basic instructions required for the correct installation and use of the system. Before installing the components, please read all instructions in this manual carefully. Failure to follow instructions can result in unintentional damage or product damage.

Before installing these speakers, it is recommended to contact a professional car audio installation service. Correct acoustics setting allows you to achieve excellent sound and extend the service life.

## PRECAUTIONS

---

### ATTENTION!

Prolonged exposure to sound pressure 100 dB and higher can cause hearing loss. Use common sense and practice safe sound. Remember that prolonged exposure to excessively high sound levels can damage your hearing. Driving safety comes first.

The manufacturer is not responsible for hearing loss, body damage or property damage due to misuse of this product.

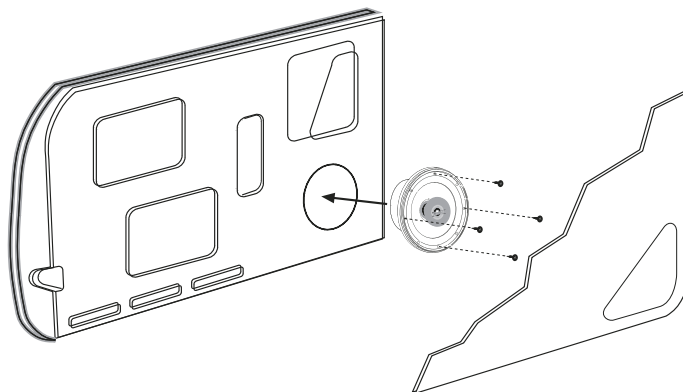
### ATTENTION!

Proceed with the installation only if you are a qualified car audio installer, otherwise contact a professional installation service.

- Always wear safety glasses when using tools.
- Before proceeding with the installation, turn off the car head unit and other electronic devices.
- Disconnect the negative (-) terminal from the car battery before starting the installation.
- Store the loudspeaker in its packaging if you have not proceeded to install it, and always place the loudspeaker with the cone facing up. Never use force when installing speakers.
- Determine the location of the fuel lines, brake pipes, oil lines, and vehicle electrical wiring before proceeding with the installation.
- Check that the installation site has sufficient air exchange on both sides of the speakers before drilling holes.
- Check that nothing interferes with the normal operation of the cone, otherwise the cone will be damaged.
- Use a utility knife to cut off excess pieces of fabric near the hole where the speaker will be installed before starting drilling.
- Use a grommet for the speaker wires (not included) when pulling through sheet metal, otherwise the wire may be damaged by the metal edges of the hole.

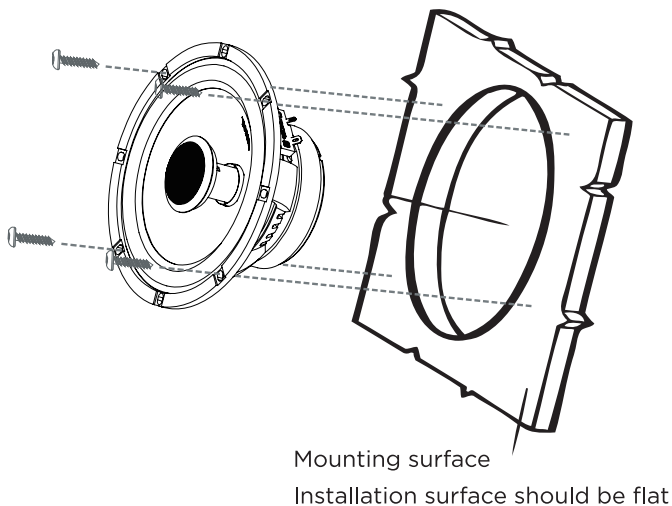
## INSTALLATION IN THE DOOR

Before proceeding with the installation of speakers in the car door, Please check its construction and window operation. There is a stabilizing stop bar in the car door, which is located between the door and the door arch. The lock bar prevents the door from being opened unnecessarily.



## INSTALLATION IN THE REAR PART OF CARBODY

Before installing the speakers in the rear part of carbody, please check the operation of the suspension springs of the trunk or the tension rods. The rods move inward when the trunk is opened. Do not install the speakers too close to the rear window, otherwise it will have to be removed when you screw in the screws.



## INSTALLATION

1. Choose a place to install the speaker. Make sure the mounting surface is flat and fits the mounting dimensions of the speaker. Placing the speaker on an uneven surface will damage the speaker.
2. Make sure that the chosen location for the speaker does not interfere with the operation of the vehicle,
3. Cut the template based on the speaker outer diameter. Place the template on the mounting surface where the speaker should be installed and trace around it with a pencil.
4. Make a hole for the speaker. The hole can be made either with a metal shears or with an electric hacksaw for metal.
5. The speaker wire (not included) needs to be connected to the speaker. Use a grommet for the speaker wire when pulling through sheet metal, otherwise the wire may be damaged by the metal edges of the hole.
6. Drill holes with a 1/8 "(3mm) drill.
7. Pull the speaker wire through the hole made and connect to the speaker. Observe the polarity when connecting the speakers.
8. Secure the speaker with screws.



## RECOMMENDED CROSSOVER SETTINGS

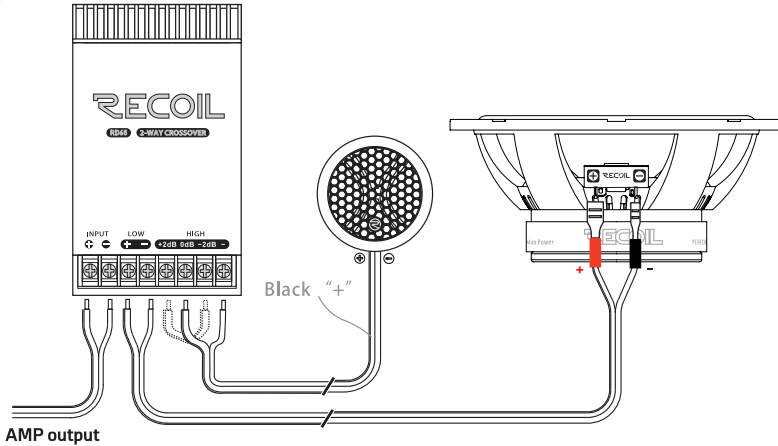
For optimum performance, it is recommended to adjust the crossover according to the recommendations below.

**NOTE Crossover settings depend on speaker sizes.**

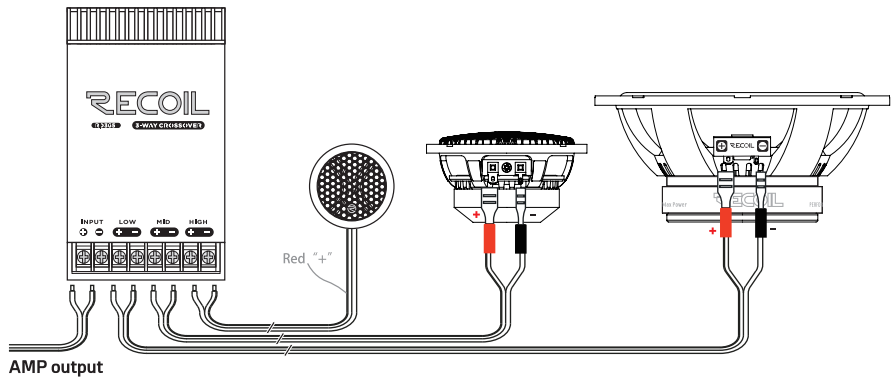
Recommended active crossover 100Hz - 8kHz, 12dB per octave.

## CONNECTIONS

### RD65

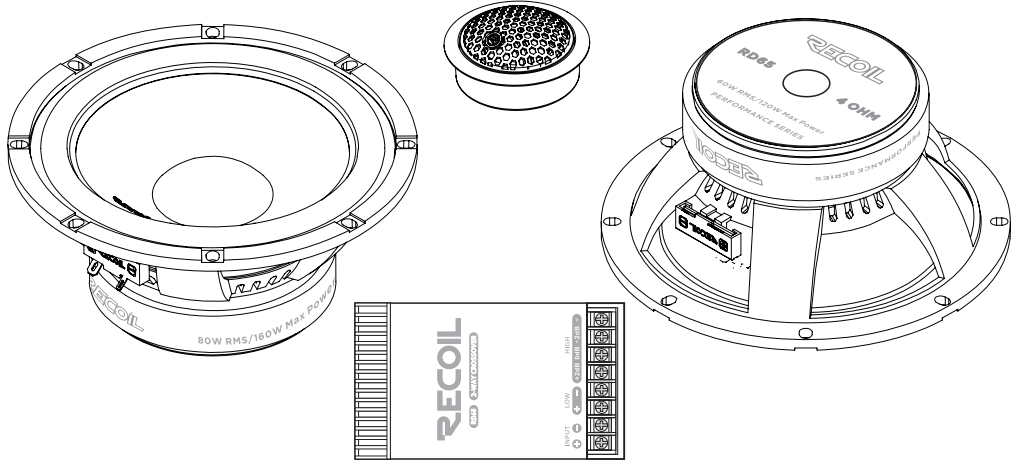


### RD365

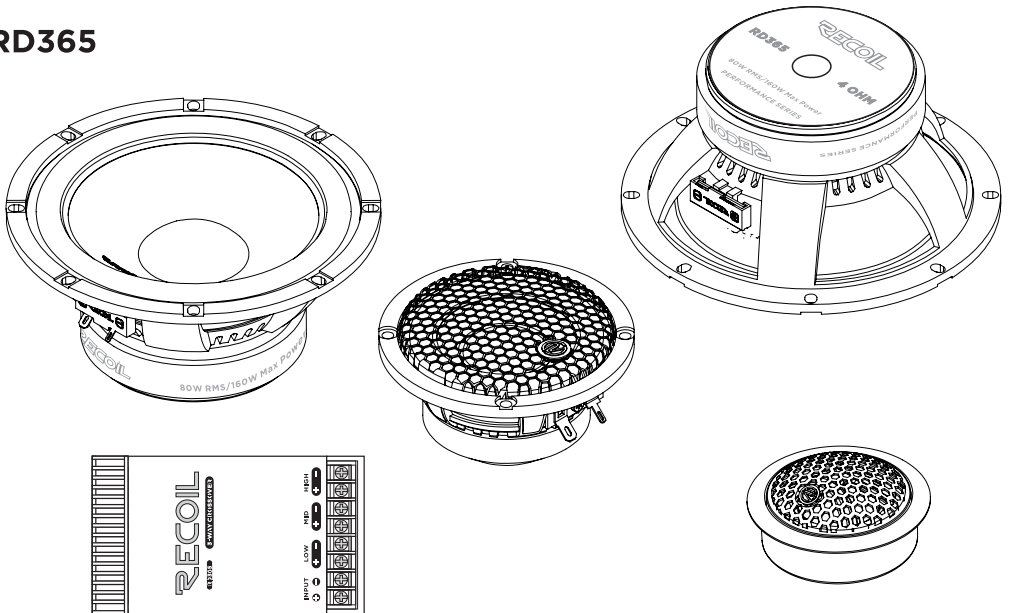


VIEW

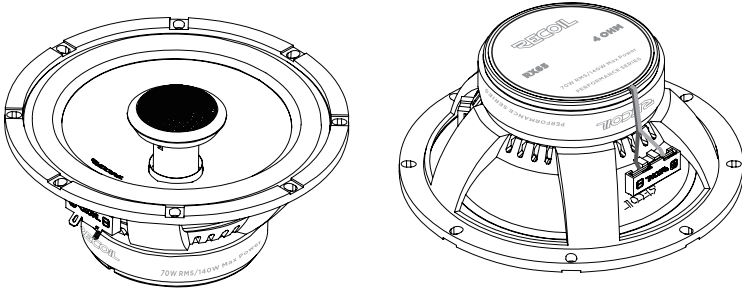
RD65



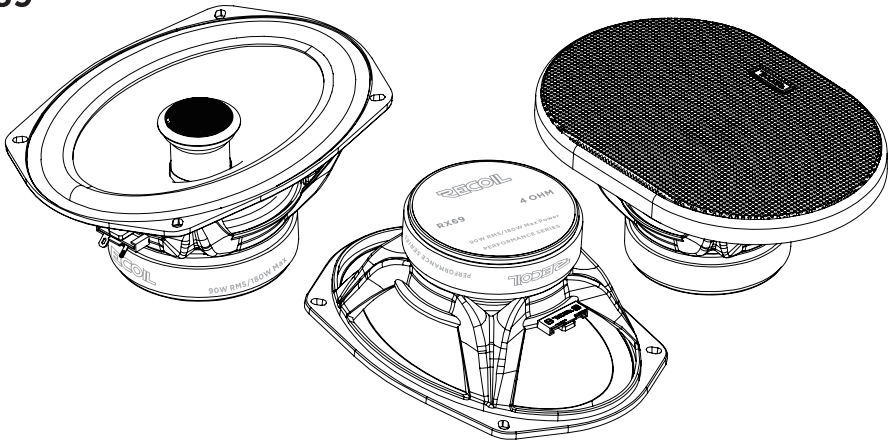
RD365



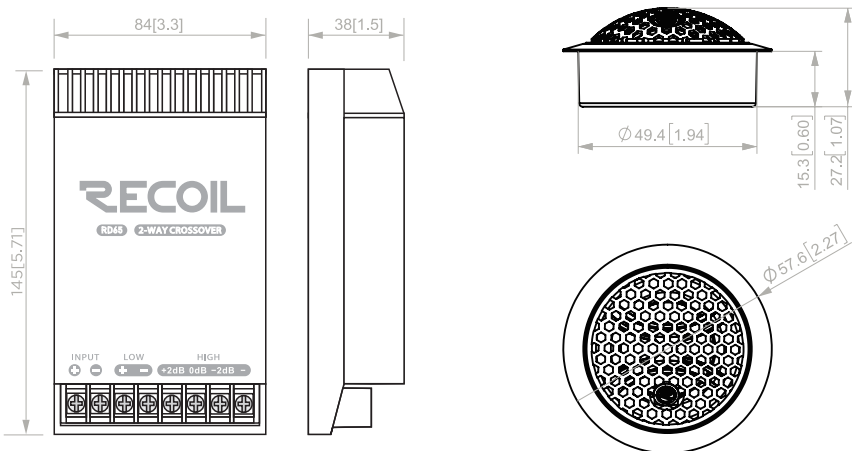
RX65



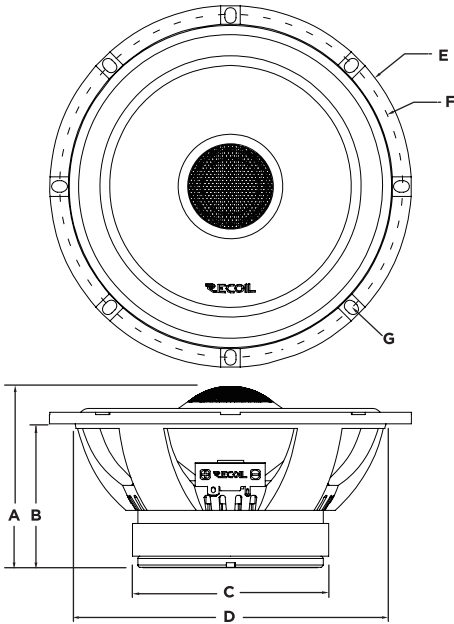
RX69



DIMENSIONS



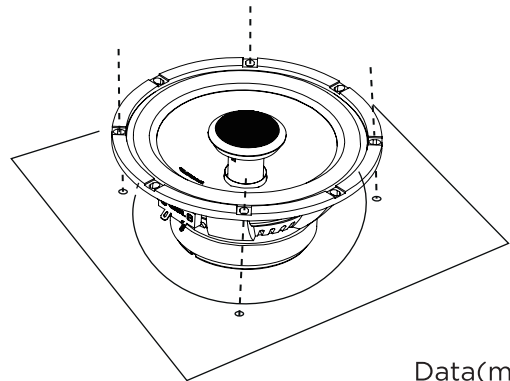
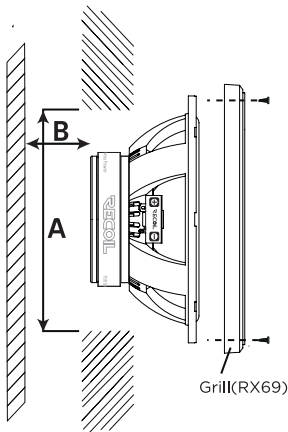
## DIMENSIONS



Code	RD65	RD365	RX65	RX69
A	71	76.4	82.9	98.2
B	65.7	68.7	65.7	83.2
C	90	100	90	110
D	142.5	142.5	142.5	154x226
E	166	166	166	167x236
F	157	157	157	128x169
G	8-5.2	8-5.2	8-5.2	4-5.5x8.5

Data(mm)

## MOUNTING DIMENSIONS



Data(mm)

Installation Dimensions				
Model	RD65	RD365	RX65	RX69
A	142.5	142.5	142.5	154x226
B	66	69	66	84

## SPECIFICATIONS

	RD65	RD365	RX65	RX69	Unit
Configuration	6.5" 2-Way	6.5" 3-Way	6.5" 2-Way	6x9" 2-Way	-
Minimum Input (RMS)	60	80	50	90	Watts
Max Power	120	160	100	180	Watts
Nominal Re	4	4	4	4	Ohm
Minimum Re	2.5	2.5	2.5	2.5	Ohm
Mounting Depth	65.7/2.59"	68.7/2.7"	65.7/2.59"	83.2/3.28"	mm/inch
Mounting Diameter	142/5.59"	142/5.59"	142/5.59"	154x226 6.06"x8.9"	mm/inch
Sensitivity (1W/1m)	87	88	88	87	dB
Frequency Range	50-20k	55-20k	60-20k	53-20k	Hz
Cone Material	Fiberglass	Fiberglass	Fiberglass	Fiberglass	Fabric
Suspension Material	PC	PC	PC	PC	Fabric
Voice Coil Diameter	25.5/1.0"	35.5/1.4"	25.5/1.0"	35.5/1.4"	mm/inch
Coil Material	ASV	ASV	ASV	ASV	-
Wire Winding Height	11/0.43"	11/0.43"	10/0.39"	11/0.43"	mm/inch
Magnet Material	12	18	12	21	OZ
X max	4/0.157"	4.5/0.177"	4/0.157"	4.5/0.177"	mm/inch

## THIELE- SMALL PARAMETERS

	RD65	RD365	RX65	RX69	Unit
Fs	62	55	60	53	Hz
Re	2.5	2.5	2.5	2.5	Ohm
Qes	0.678	0.528	0.672	0.522	N/A
Qms	5.04	3.6	4.99	3.07	N/A
Qts	0.59	0.46	0.59	0.446	N/A
Vas	0.41/11.6	0.44/12.4	0.5/14.2	11.6/0.412	FT <sup>3</sup> /L
Sd	132.7	132.7	132.7	143.14	cm <sup>2</sup>
Mms	14.1	16.8	14.1	22.9	g
Bl	4.51	5.2	4.46	6.36	Tm



[WWW.RECOILAUDIO.COM](http://WWW.RECOILAUDIO.COM)

COPYWRITE© 2024 RECOIL ALL RIGHTS RESERVED.  
RECOIL, AVS INDUSTRIAL CO. LTD AND DOMESTIC  
INVESTMENT GROUP, LLC ASSUME NO RESPONSIBIL-  
ITY OR LIABILITY FOR FINES OR DAMAGES  
INCURRED AS A RESULT OF IMPROPER USE OF THIS  
PRODUCT.