

CERAMIC TWEETER



**RECOIL**<sup>®</sup>

**RDT1**

**Echo Pro Series 1" High-Fidelity Ceramic Dome Tweeters**

**User Manual**

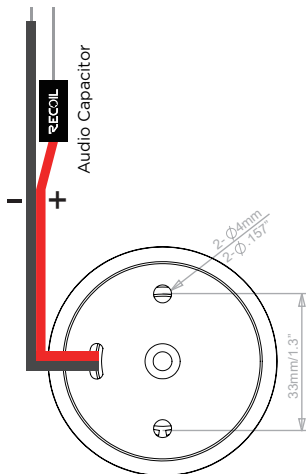
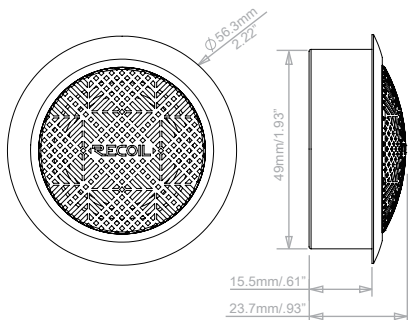
**RECOIL**

**WWW.RECOILAUDIO.COM**

Copyright ©2024 Recoil Audio

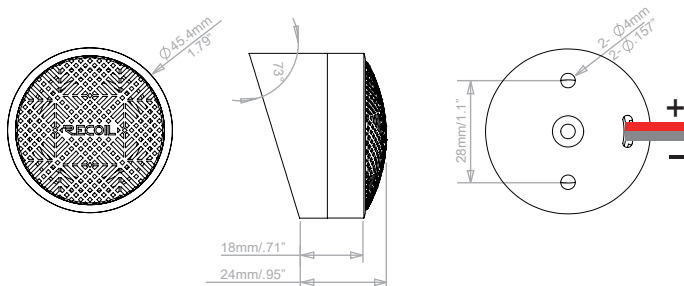
## FEATURES

- 1"/25.4mm Pure SV Voice Coil | Kapton Bobbin
- RECOIL Customized Stainless Steel Grille
- Over Sized NdFeB Magent(N42)
- Ceramic Dome with Silk Surround
- High Quality Audio Capacitor
- Precision Machined Aluminum Housing



# MIDRANGE SPEAKER

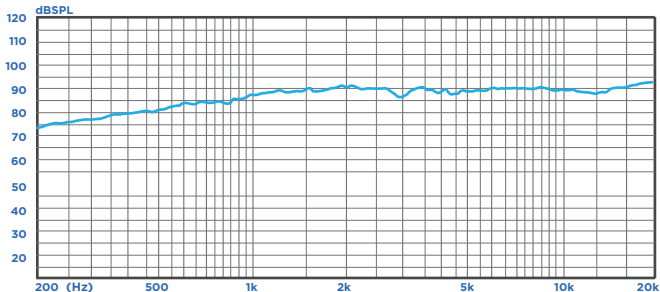
# RDT1



## Parameters

Size	Impedance	Rated Power	Max Power
91.5mm/3.5"	4 $\Omega$	20W	40W
Voice Coil	Sensitivity	Frequency Response	Dome
1"/25.5mm	92dB/M/W	1.7KHz-20KHz	Ceramic

## Frequency Response Curve



COPYWRITE© 2024 RECOIL ALL RIGHTS RESERVED. RECOIL, AVS INDUSTRIAL CO. LTD AND DOMESTIC INVESTMENT GROUP, LLC ASSUME NO RESPONSIBILITY OR LIABILITY FOR FINES OR DAMAGES INCURRED AS A RESULT OF IMPROPER USE OF THIS PRODUCT.