



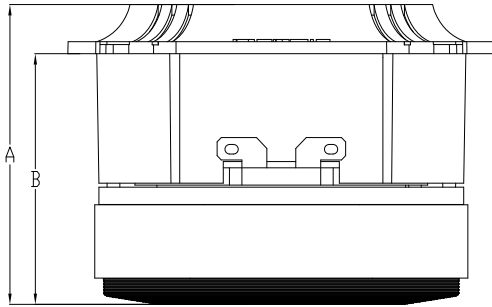
**RECOIL<sup>®</sup>**

## **TW250/TW380**

1-Inch / 1.5-Inch Bullet Super Tweeter

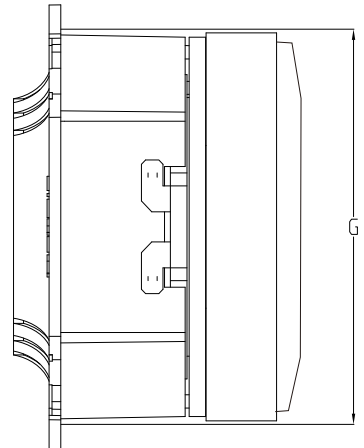
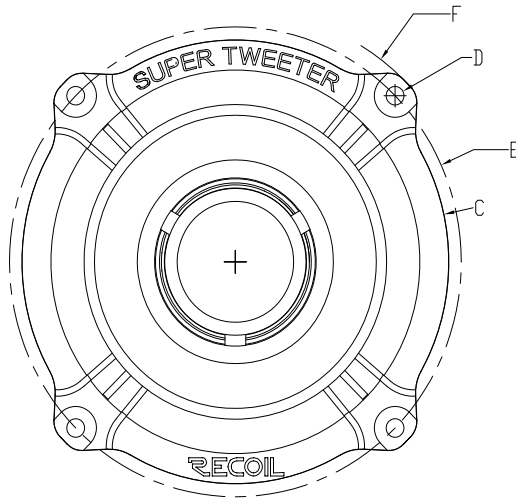
## **User Manual**

Dimensions



Code	TW250	TW380
A	50	70
B	42	58.5
C	80.1	103
D	4.3	4.3
E	84	109
F	92.1	117.2
G	71	90.5

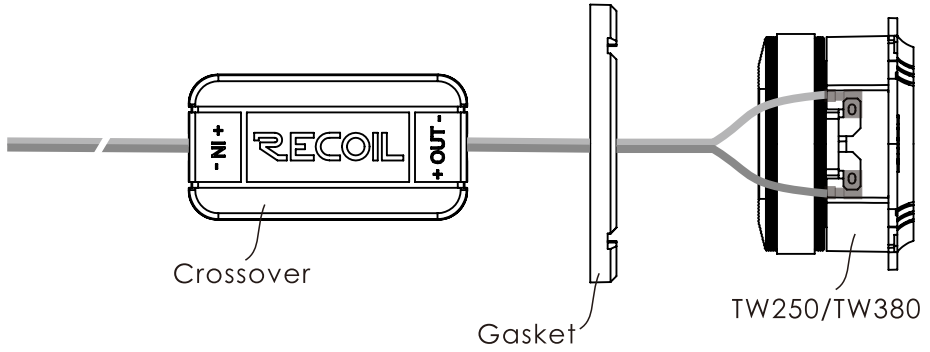
Unit: mm



## Specifications

	TW250	TW380
Nominal Impedance	4ohms	4ohms
RMS Power Handling	100Watts	180Watts
MAX Power Handling Sensitivity(1w/1m)	200Watts	360Watts
Frequency Response	2-20KHz	1.5-20KHz
Recommended Hi Pass Crossover	5.5K	5K
Voice Coil Diameter	1"(25.4mm)	1.5"(38mm)
Winding Material	KSV	KSV
Diaphragm Material	Aluminum	Aluminum
Frame Material	Aluminum	Aluminum
Basket Material	Aluminum	Aluminum
Magnet Material	Ferrite	Ferrite
Magnet Weight	6.5Ounce/183g	14.5Ounce/406g
Dimensions		
Overall Depth	50mm	70mm
Mounting Depth	42mm	58.5mm
Overall Width	84mm	109mm
Cutout Diameter	71mm	90.5mm

# Installation Diagram



- Grey Cable (+)
- Black Cable (-)

